

# FLUSH CASEMENT WINDOW

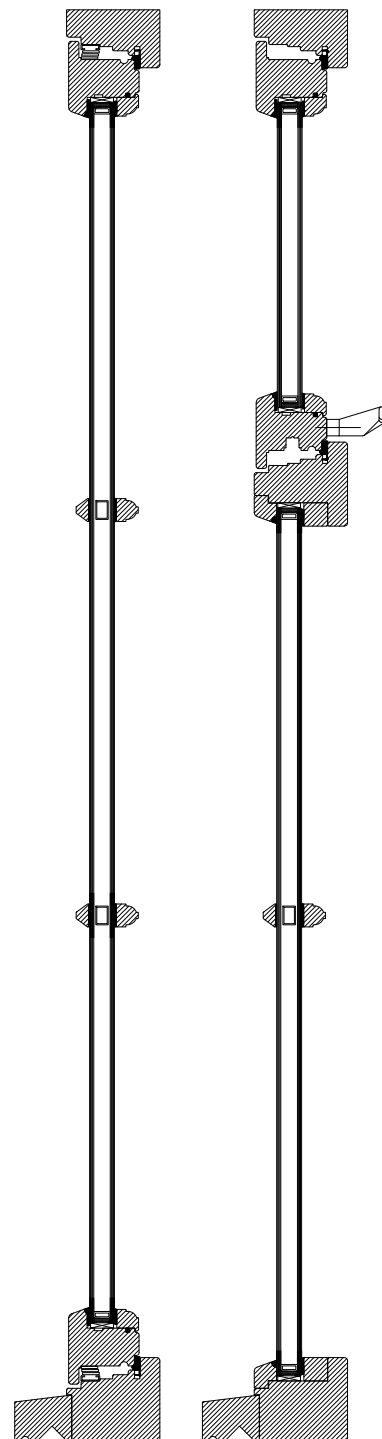
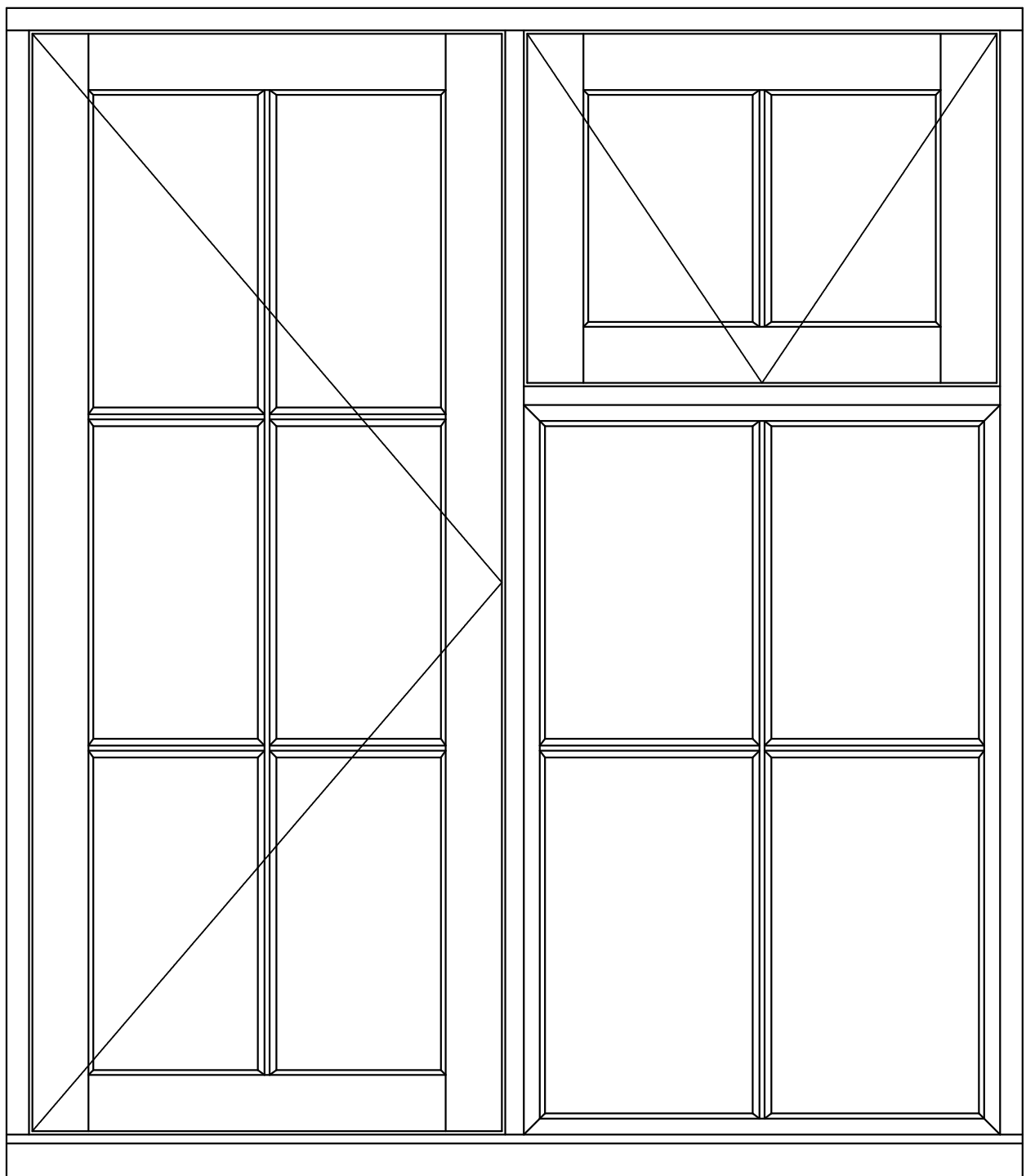
TITLE  
**ELEVATION DRAWING**

DRAWING No.  
**FC-W-90/01**

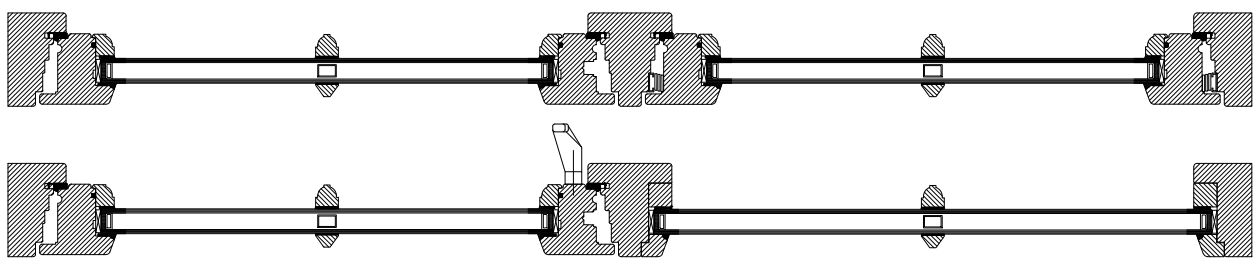
DATE  
**2018/06/06**

SCALE

CONSTRUCTION DETAILS



Material	Manufactured in selected engineered laminated pine or hardwood, sourced from sustainable and managed forestry (FSC or PFEC certified)
Mechanism	Sashes are hung and operated on the friction hinges and locked by espagnolette locking system
Security (optional)	Fully tested to Secure by design standards PAS 24:2012
Weatherseal	The window is fully weather sealed to BS EN 6375-1 2009
Glass	The window is factory glazed and can take dual or triple sealed units up to 32mm thickness
Thermal Performance	Thermal performance is calculated by the standards of EN ISO 10077-1:2006 and typically this window achieves a U-value of 1.3 W/m <sup>2</sup> K or better
Glazing Bars	Applied bars are used to achieve the slim section of traditional glazing bars. These are applied with double sided glazing tape to both faces of the sealed unit and capped with clear silicone
Cill Extensions	Manufactured in Hardwood with options of cill projections
Fittings	A locking casement fastener to each operable sash with options in colour and finish
Ventilation	A controllable trickle ventilator can be fitted to the window dependant on width of sash (See Drawing No FC-W-90/09)
Restrictors	Restrictors which allows the opening of the sash to be restricted to 100mm is an option
Egress	Egress Easy Clean hinges for fire escape purposes is an option
Factory Finishing	To ensure the smooth operation and optimum performance of the window, we apply 3 coats of sprayed applied microporous water based paint system



FENSTER UAB  
Kirtimų 47, LT-02244,  
Vilnius, Lithuania  
Phone.: + 370 5 206 0987  
Mob.: +370 682 01711  
Fax.: +370 5 206 0986  
E-mail: info@zylefenster.com  
www.zylefenster.com



# FLUSH CASEMENT WINDOW

TITLE

## VERTICAL SECTION

DRAWING No.

### FC-W-90/02

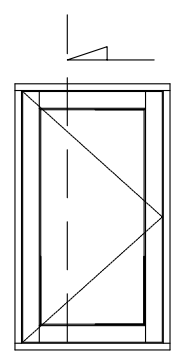
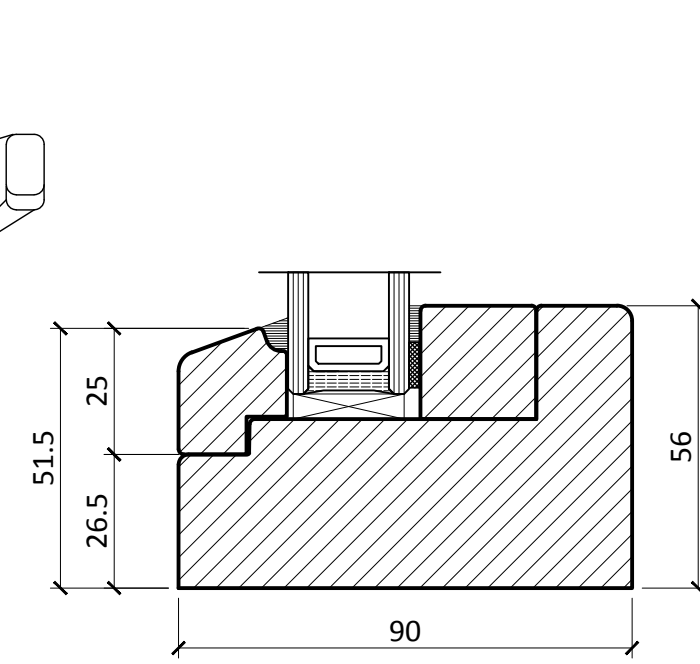
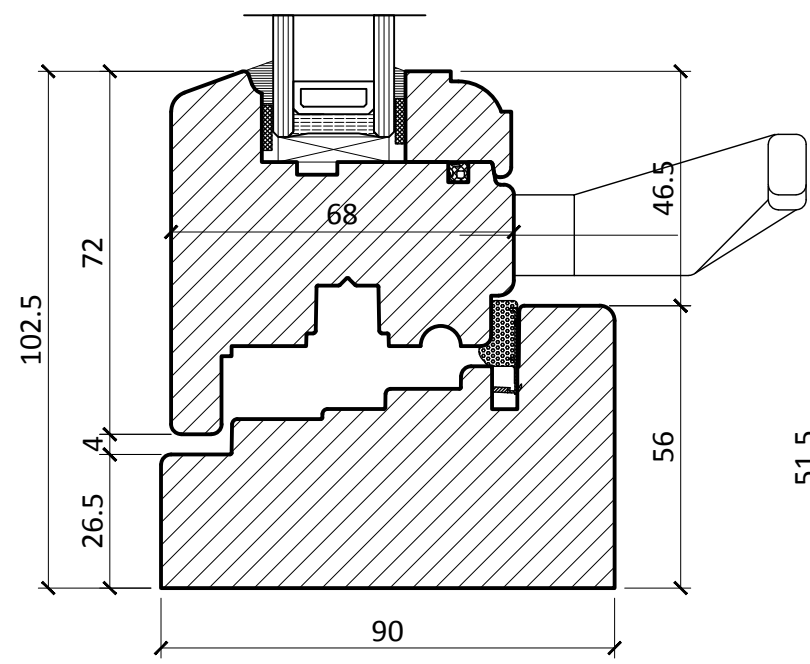
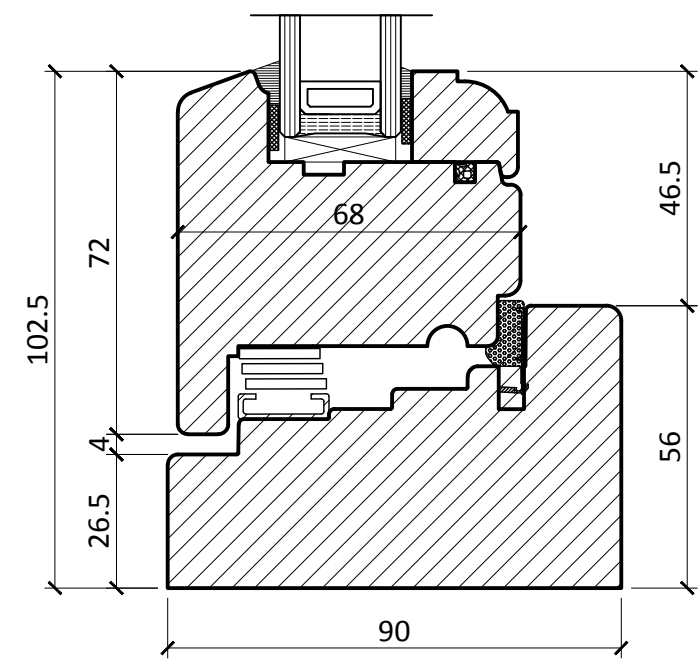
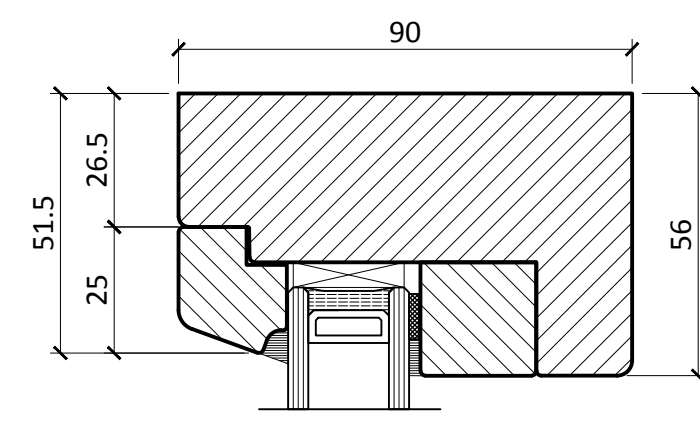
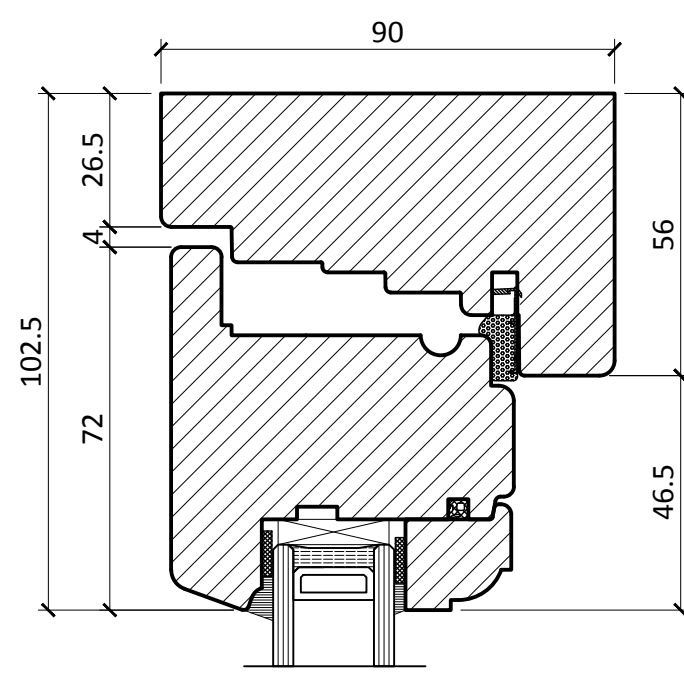
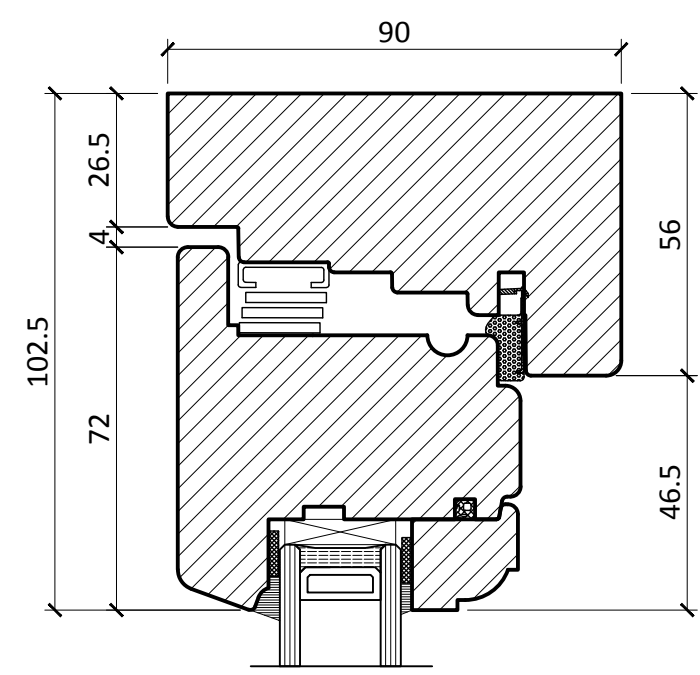
DATE

2018/06/06

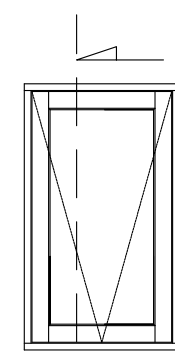
SCALE

1:1.5 @ A3

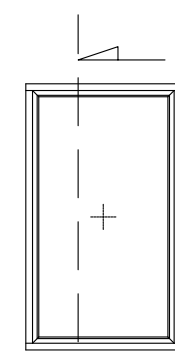
CONSTRUCTION DETAILS



SIDE HUNG



TOP HUNG



DIRECT GLAZED

FENSTER UAB  
 Kirtimų 47, LT-02244,  
 Vilnius, Lithuania  
 Phone.: + 370 5 206 0987  
 Mob.: +370 682 01711  
 Fax.: +370 5 206 0986  
 E-mail: info@zylefenster.com  
 www.zylefenster.com



# FLUSH CASEMENT WINDOW

TITLE

## HORIZONTAL SECTION

DRAWING No.

FC-W-90/03

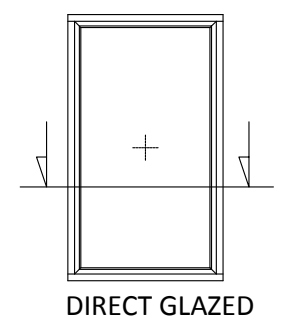
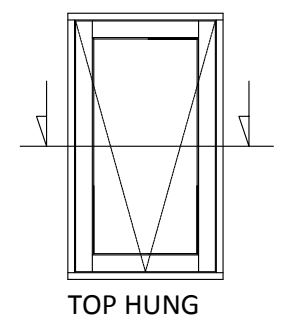
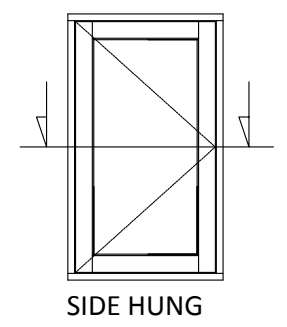
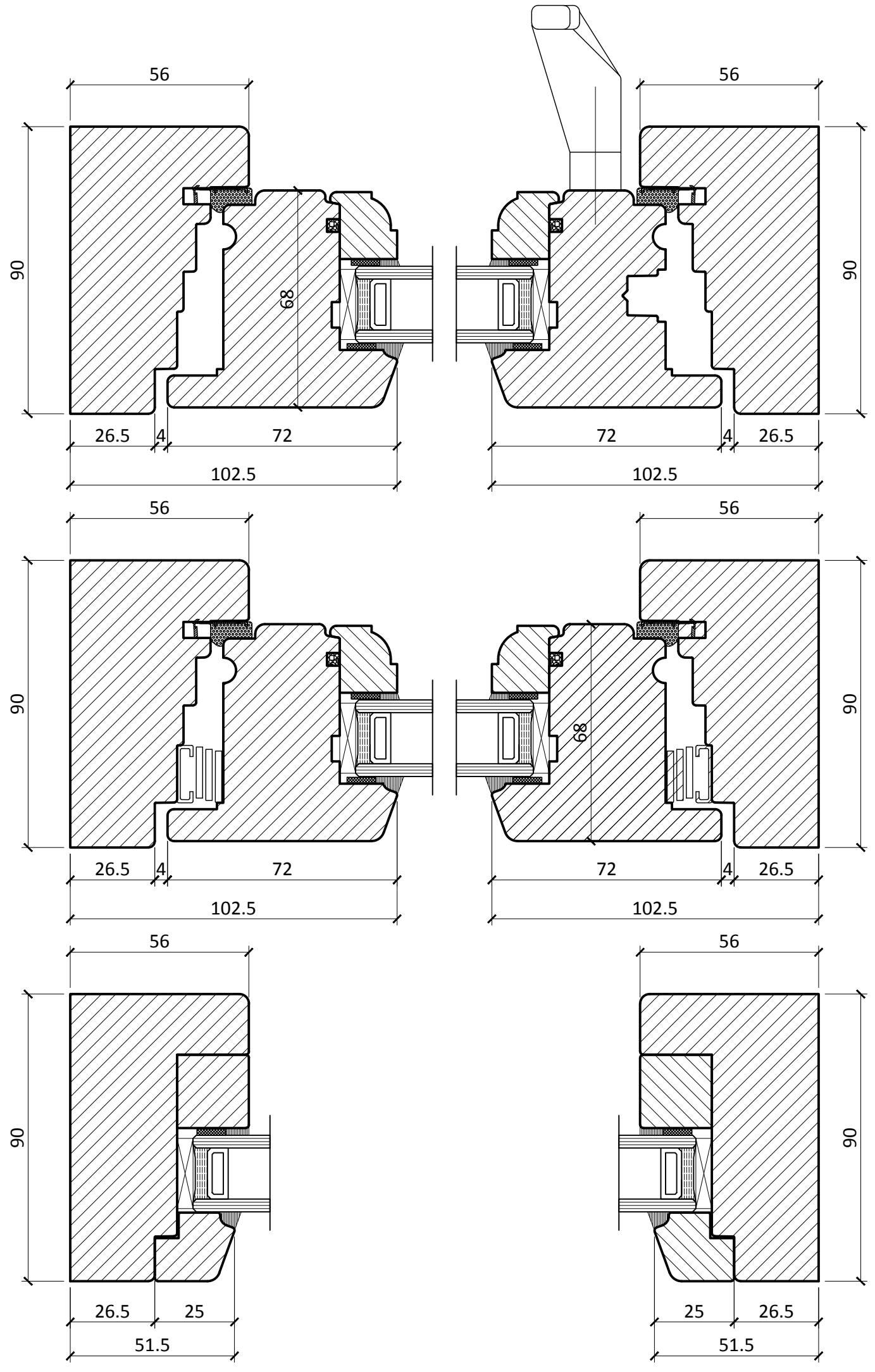
DATE

2018/06/06

SCALE

1:1.5 @ A3

CONSTRUCTION DETAILS



FENSTER UAB  
 Kirtimų 47, LT-02244,  
 Vilnius, Lithuania  
 Phone.: + 370 5 206 0987  
 Mob.: +370 682 01711  
 Fax.: +370 5 206 0986  
 E-mail: info@zylefenster.com  
 www.zylefenster.com



# FLUSH CASEMENT WINDOW

TITLE

## MULLION DETAILS

DRAWING No.

FC-W-90/04

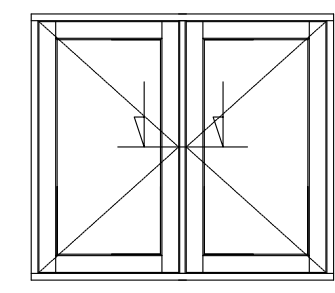
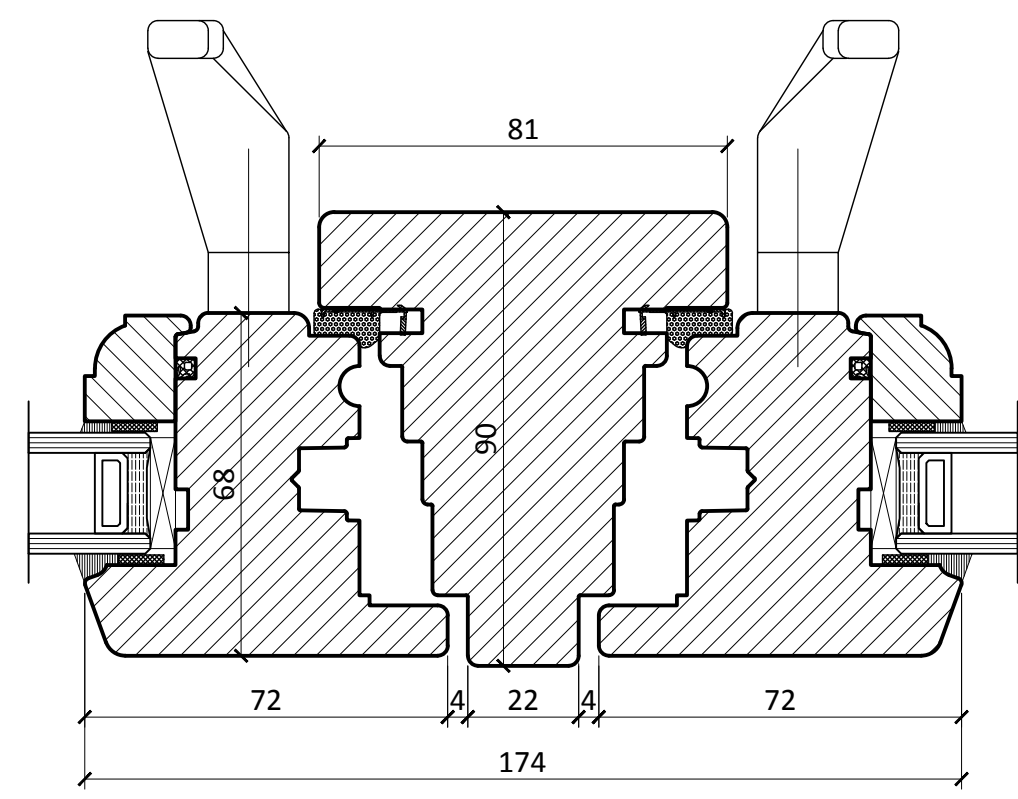
DATE

2018/06/06

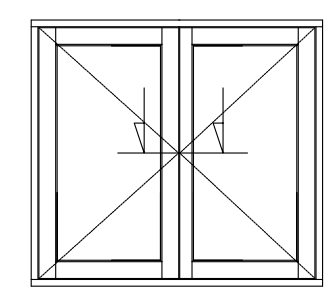
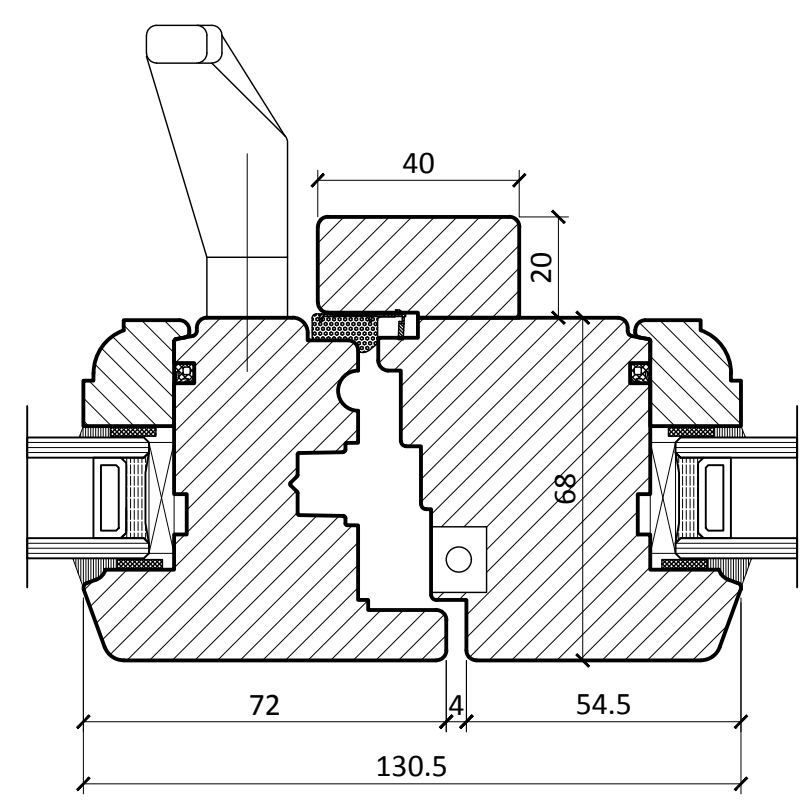
SCALE

1:1.5 @ A3

CONSTRUCTION DETAILS



DOUBLE SIDE HUNG



DOUBLE SIDE HUNG WITH FLOATING MULLION

FENSTER UAB  
 Kirtimų 47, LT-02244,  
 Vilnius, Lithuania  
 Phone.: + 370 5 206 0987  
 Mob.: +370 682 01711  
 Fax.: +370 5 206 0986  
 E-mail: info@zylefenster.com  
 www.zylefenster.com



# FLUSH CASEMENT WINDOW

TITLE

## MULLION DETAILS

DRAWING No.

FC-W-90/05

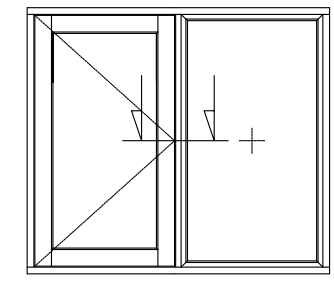
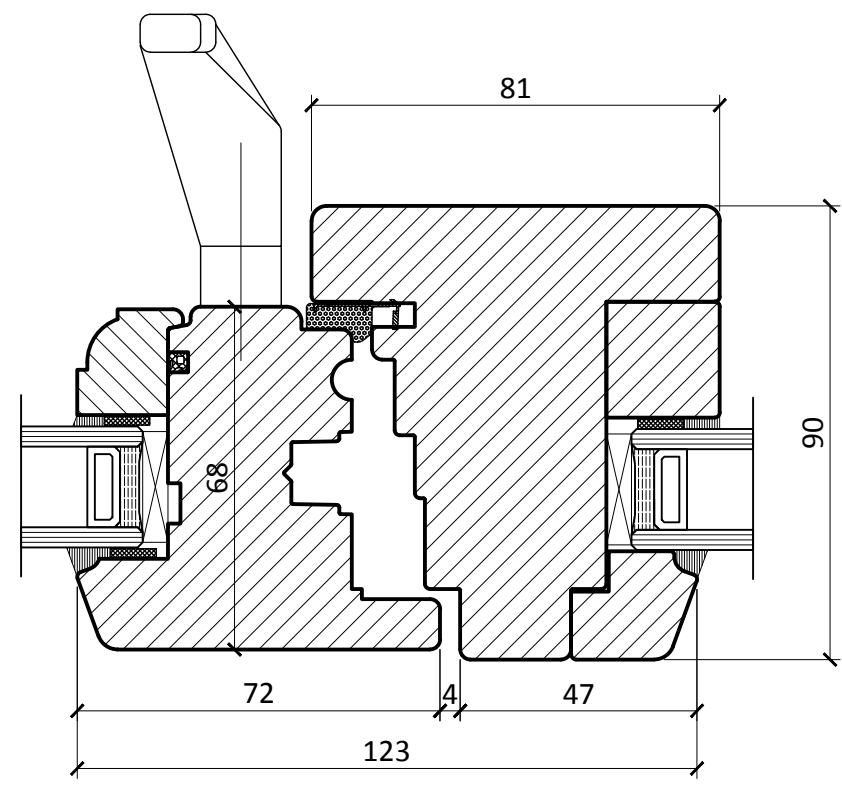
DATE

2018/06/06

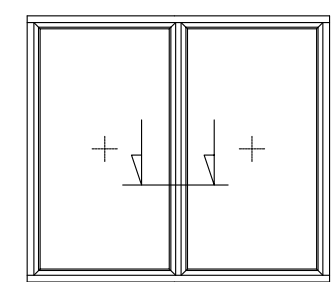
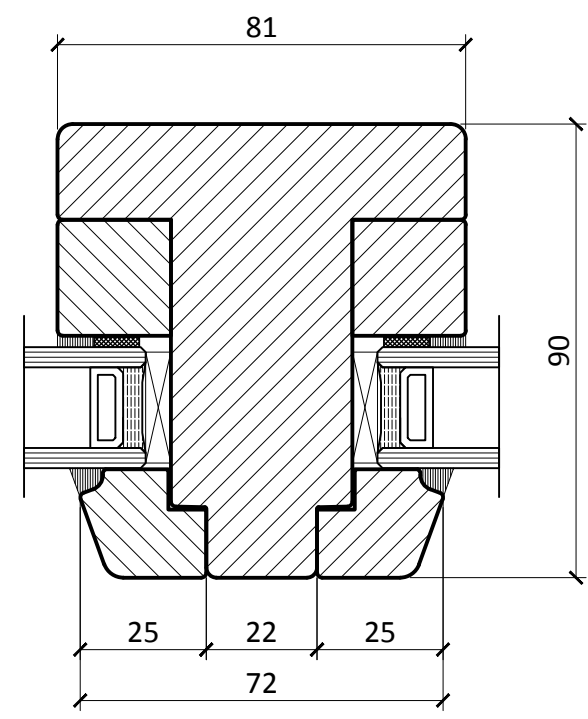
SCALE

1:1.5 @ A3

CONSTRUCTION DETAILS



SIDE HUNG NEXT TO DIRECT GLAZED



DIRECT GLAZED

FENSTER UAB  
 Kirtimų 47, LT-02244,  
 Vilnius, Lithuania  
 Phone.: + 370 5 206 0987  
 Mob.: +370 682 01711  
 Fax.: +370 5 206 0986  
 E-mail: info@zylefenster.com  
 www.zylefenster.com



# FLUSH CASEMENT WINDOW

TITLE

## TRANSOM DETAILS

DRAWING No.

FC-W-90/06

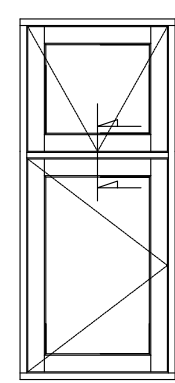
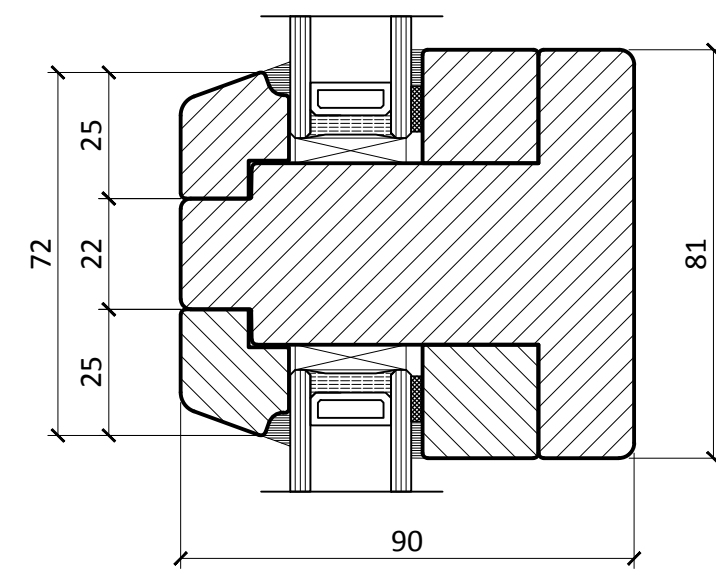
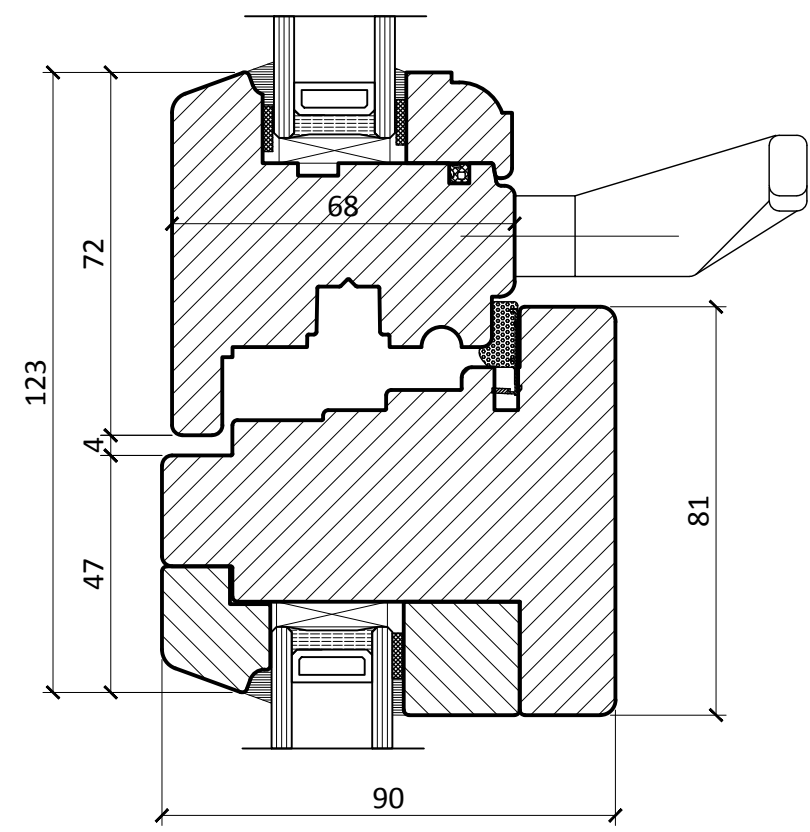
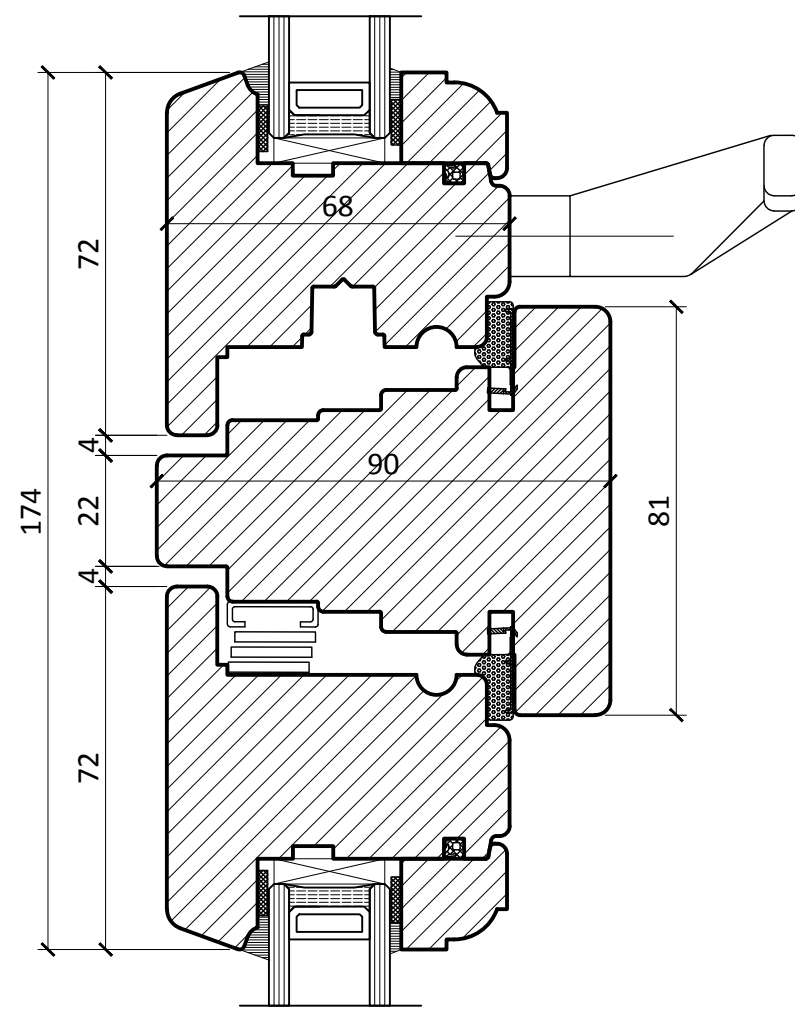
DATE

2018/06/06

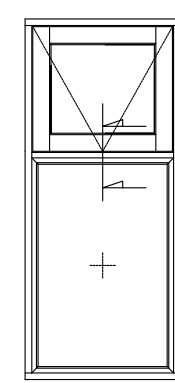
SCALE

1:1.5 @ A3

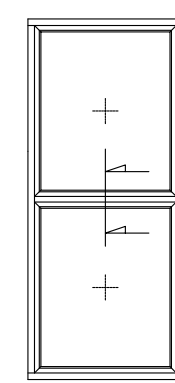
CONSTRUCTION DETAILS



TOP HUNG OVER  
SIDE HUNG



TOP HUNG OVER  
DIRECT GLAZED



DIRECT GLAZED

FENSTER UAB  
 Kirtimų 47, LT-02244,  
 Vilnius, Lithuania  
 Phone.: + 370 5 206 0987  
 Mob.: +370 682 01711  
 Fax.: +370 5 206 0986  
 E-mail: info@zylefenster.com  
 www.zylefenster.com



# FLUSH CASEMENT WINDOW

TITLE  
**GLAZING BAR, BEAD AND FRAME OPTIONS**

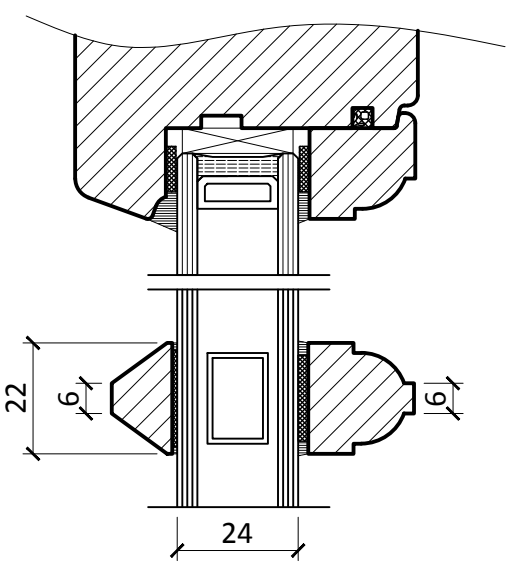
DRAWING No.  
**FC-W-90/07**

DATE  
**2018/06/06**

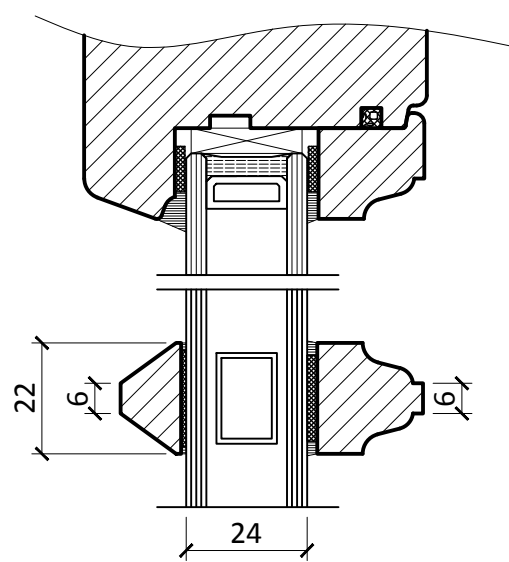
SCALE  
**1:1.5 @ A3**

CONSTRUCTION DETAILS

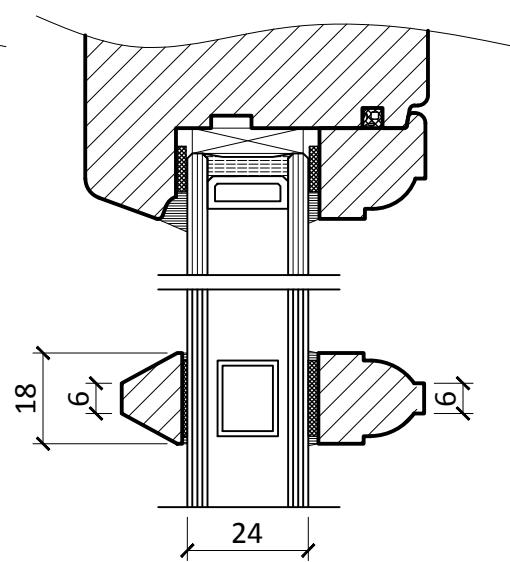
Ovolo Profile 1



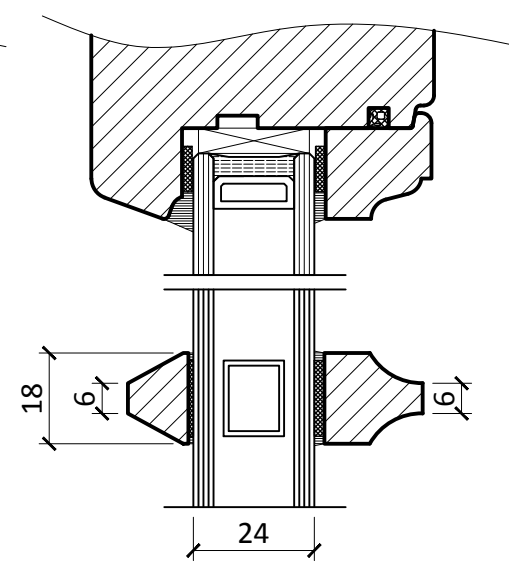
Lambs Tongue Profile 1



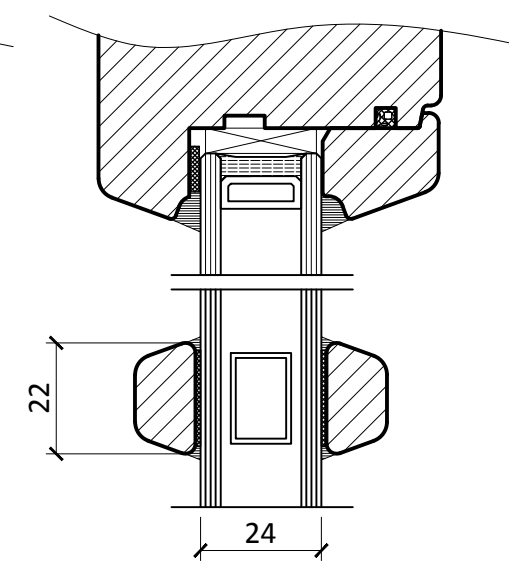
Ovolo Profile 2



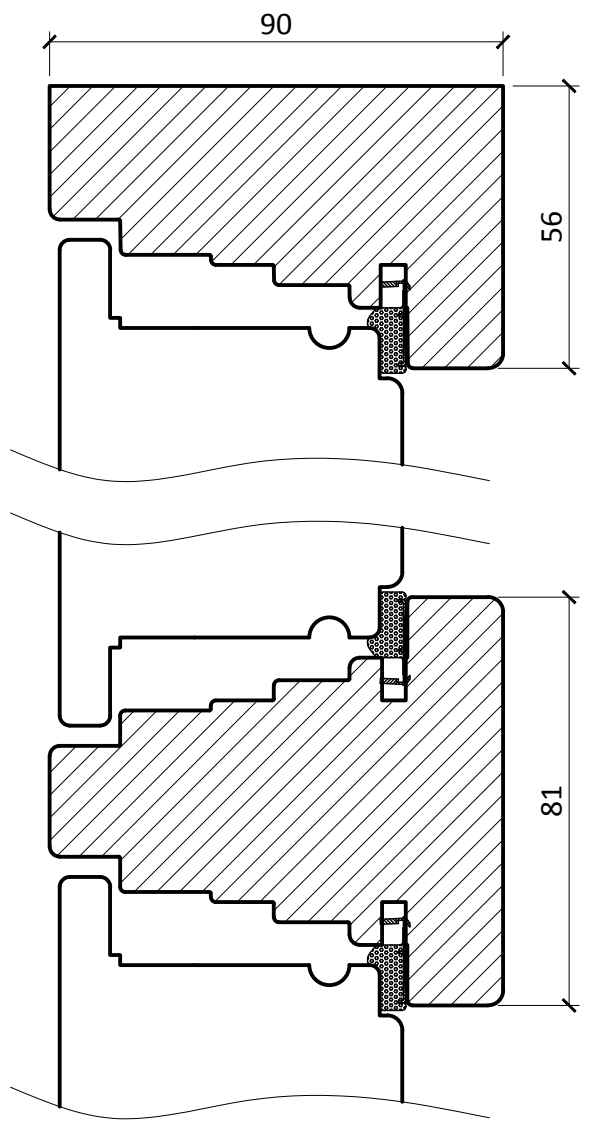
Lambs Tongue Profile 2



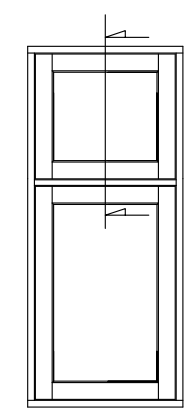
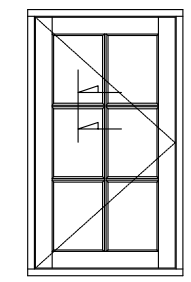
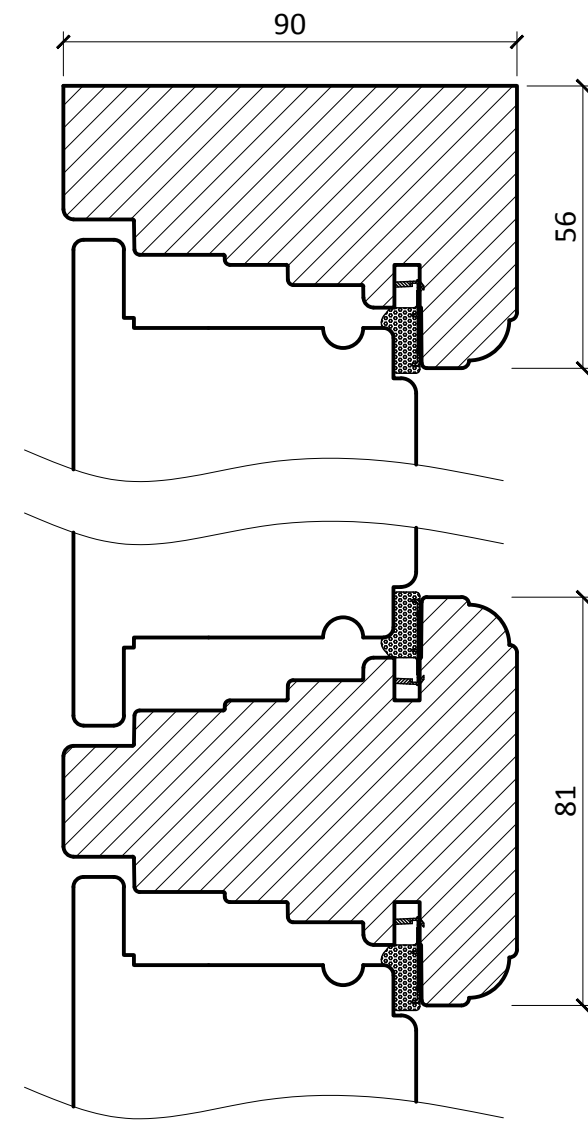
Splayed Profile 1



Square frame



Ovolo frame



FENSTER UAB  
Kirtimų 47, LT-02244,  
Vilnius, Lithuania  
Phone.: + 370 5 206 0987  
Mob.: +370 682 01711  
Fax.: +370 5 206 0986  
E-mail: info@zylefenster.com  
www.zylefenster.com



PRODUCT TYPE

# FLUSH CASEMENT WINDOW

TITLE

## CILL EXTENSION OPTIONS

DRAWING No.

FC-W-90/08

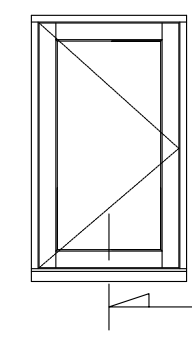
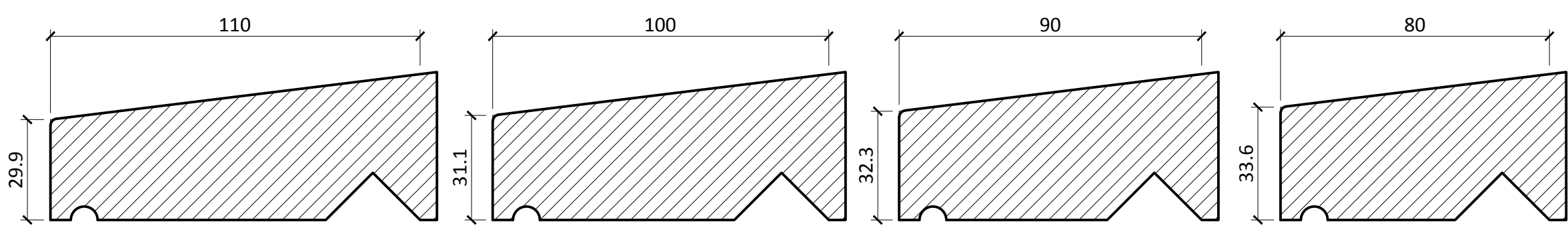
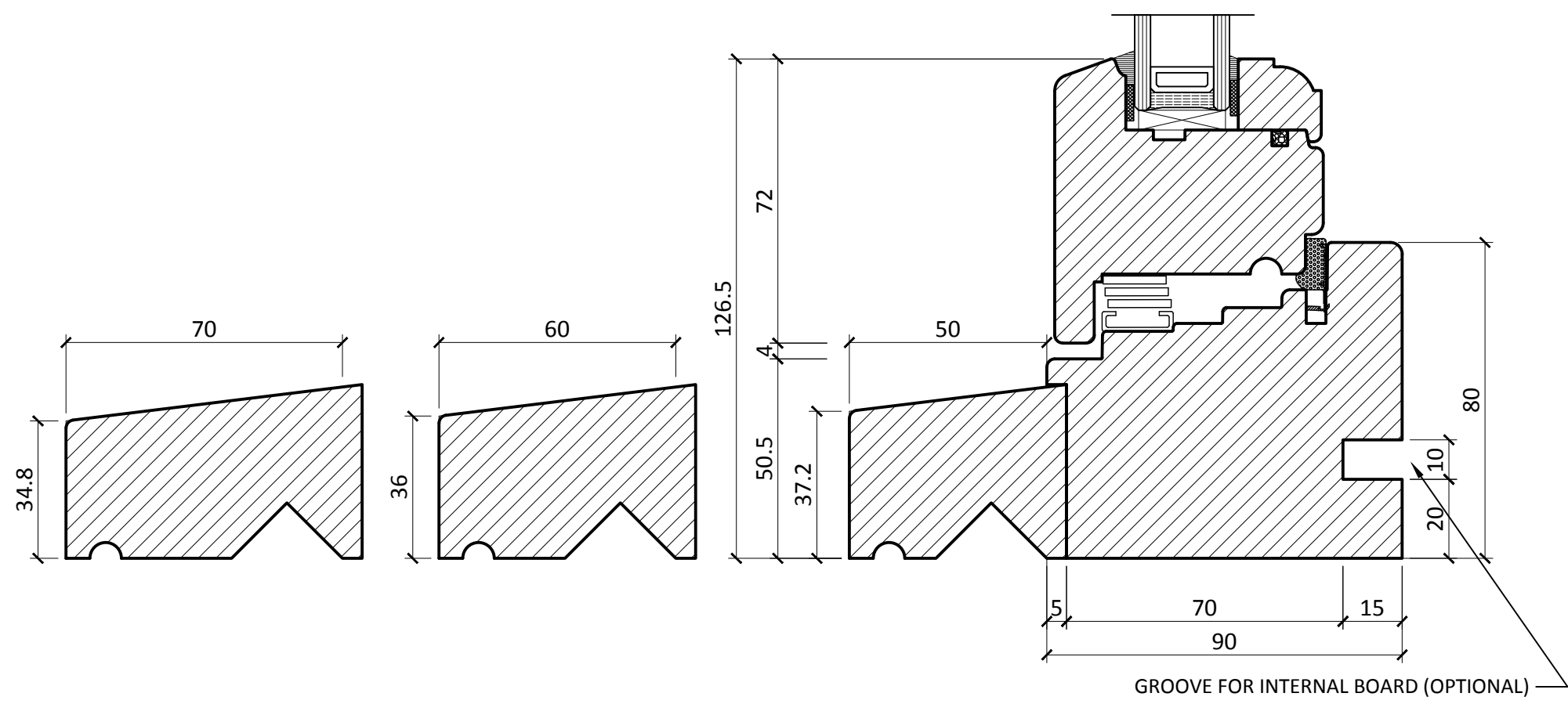
DATE

2018/06/06

SCALE

1:1.5 @ A3

CONSTRUCTION DETAILS



FENSTER UAB  
 Kirtimų 47, LT-02244,  
 Vilnius, Lithuania  
 Phone.: + 370 5 206 0987  
 Mob.: +370 682 01711  
 Fax.: +370 5 206 0986  
 E-mail: info@zylefenster.com  
 www.zylefenster.com





# FLUSH CASEMENT WINDOW

TITLE

## TRICKLE VENT

DRAWING No.

FC-W-90/09

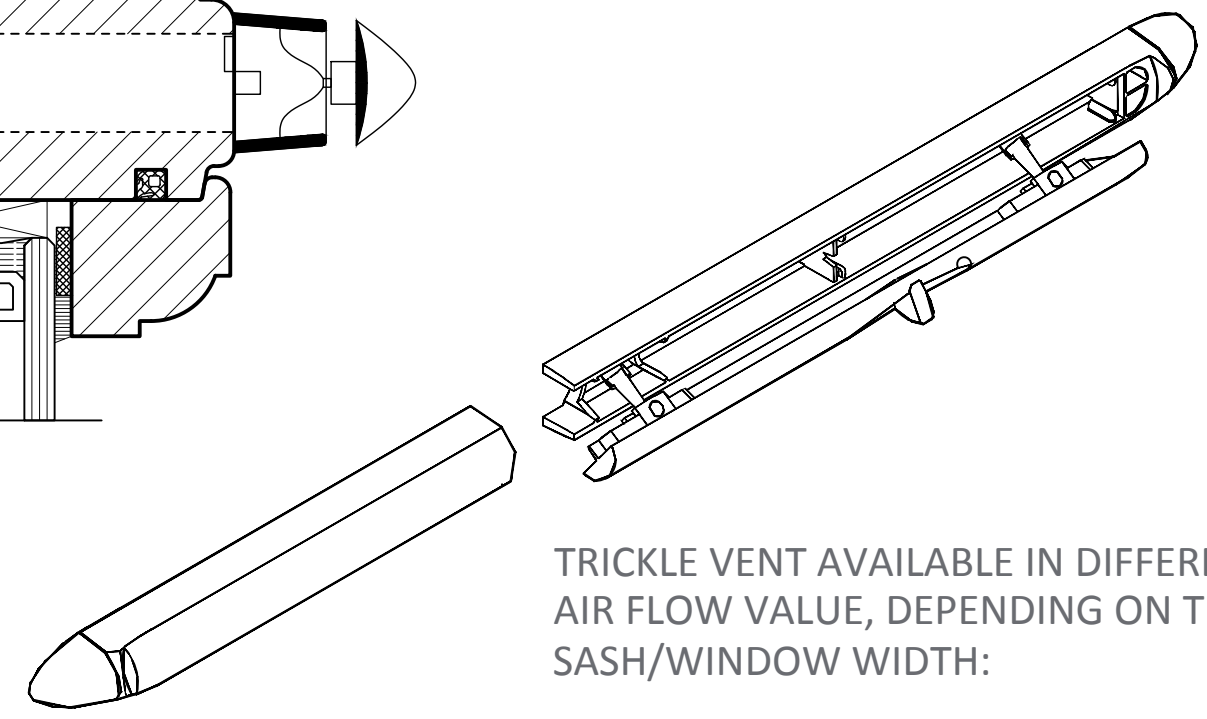
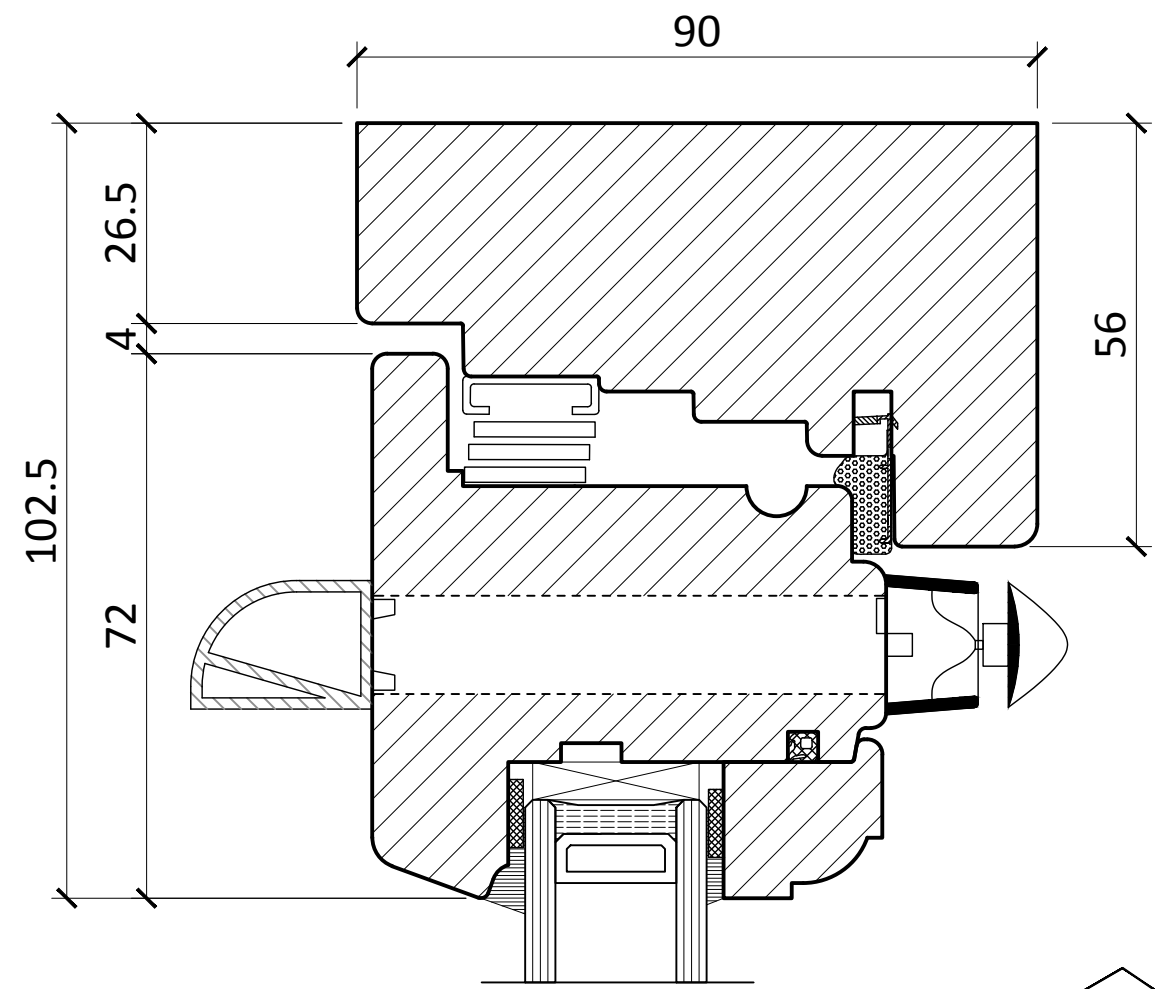
DATE

2018/06/06

SCALE

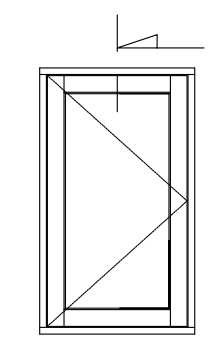
1:1 @ A3

CONSTRUCTION DETAILS



TRICKLE VENT AVAILABLE IN DIFFERENT AIR FLOW VALUE, DEPENDING ON THE SASH/WINDOW WIDTH:

- \* - 1700 mm<sup>2</sup> EA
- \* - 4400 mm<sup>2</sup> EA
- \* - 5000 mm<sup>2</sup> EA



FENSTER UAB  
 Kirtimų 47, LT-02244,  
 Vilnius, Lithuania  
 Phone.: + 370 5 206 0987  
 Mob.: +370 682 01711  
 Fax.: +370 5 206 0986  
 E-mail: info@zylefenster.com  
 www.zylefenster.com

