

PRODUCT TYPE

**ALUMINIUM CLAD
HORIZONTAL PIVOT
WINDOW**

TITLE

ELEVATION DRAWING

DRAWING No.

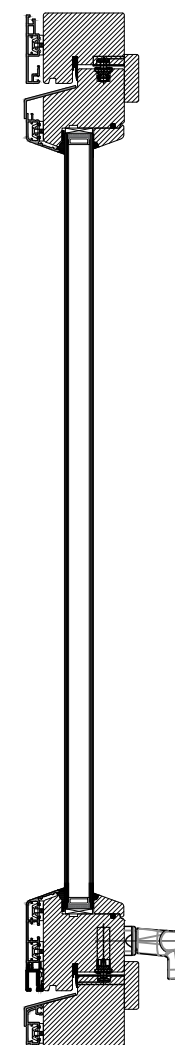
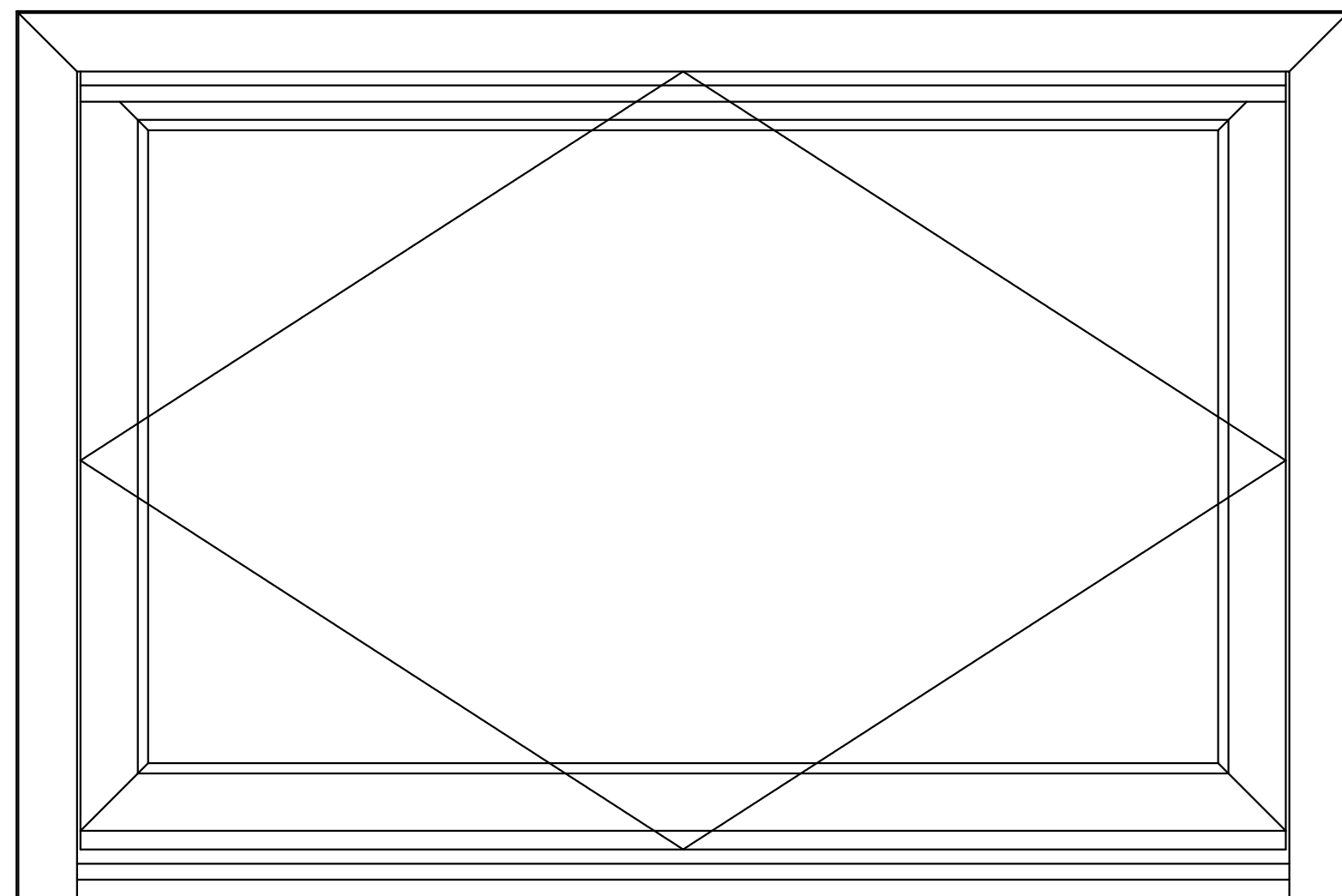
HP-A-78/01

DATE

2018/06/06

SCALE

CONSTRUCTION DETAILS

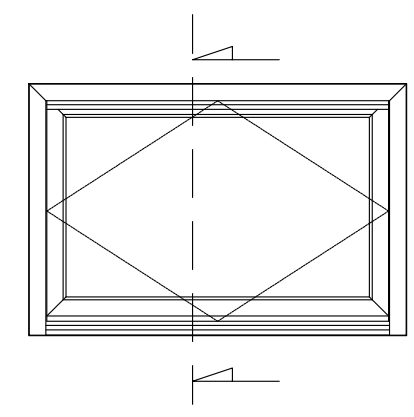
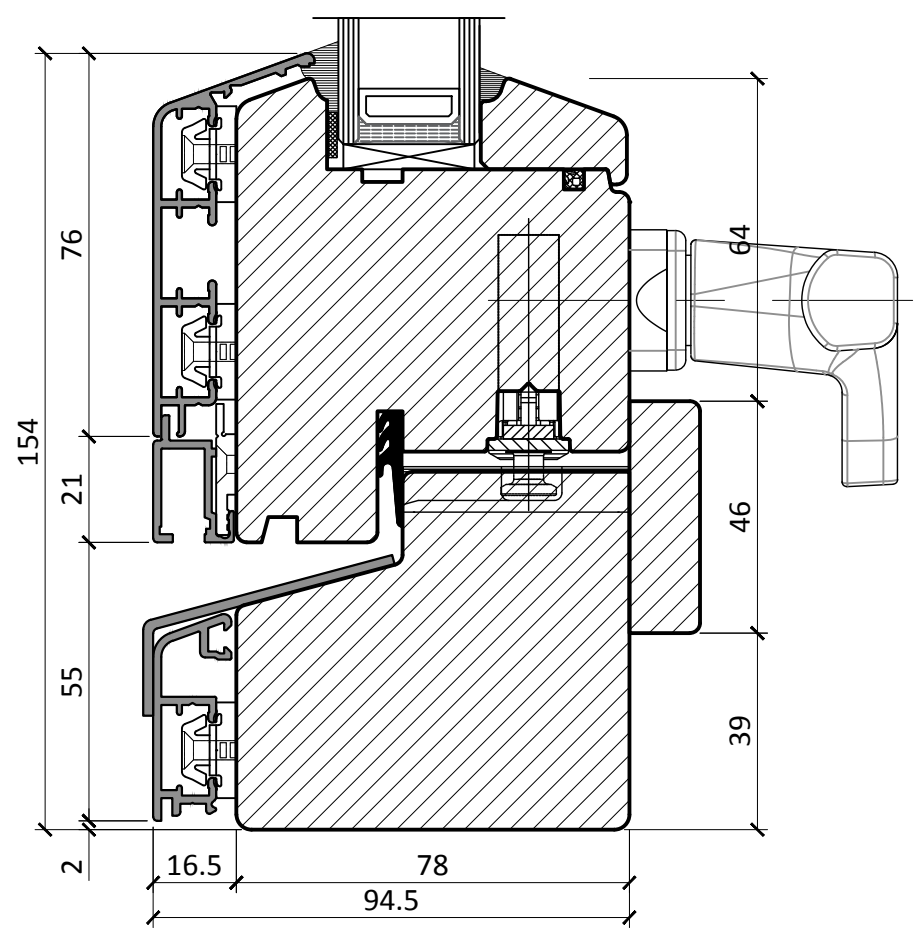
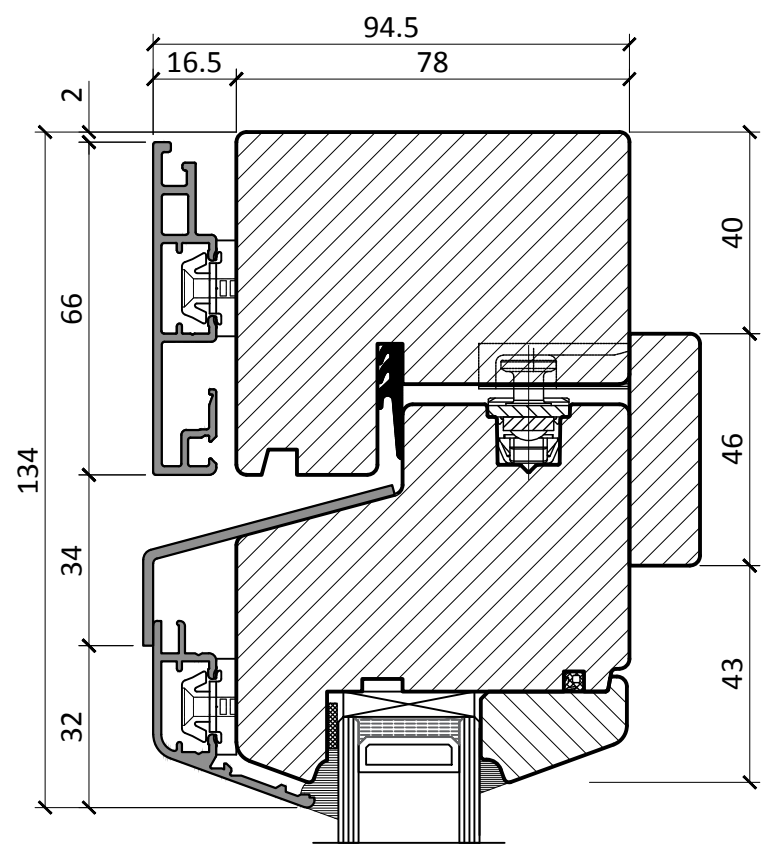


Material	Manufactured in selected engineered laminated pine or hardwood, sourced from sustainable and managed forestry (FSC or PFEC certified)
Aluminium cladding	External aluminium cladding available in full RAL colour range, provides weather resistance and easy maintenance
Mechanism	Sashes are hung and operated on the pivot hinges, which allow window to be fully reversed for easy cleaning. Hinges are designed to take sash up to 3 meters wide and up to 300 kg weight
Weatherseal	The window is fully weather sealed to BS EN 6375-1 2009
Glass	The window is factory glazed and can take dual or triple sealed units up to 48mm thickness
Thermal Performance	Thermal performance is calculated by the standards of EN ISO 10077-1:2006 and this window achieves a U-value from 1.3 W/m ² K down to 0.8 W/m ² K
Glazing Bars	Applied bars are used to achieve the slim section of traditional glazing bars. These are applied with double sided glazing tape to both faces of the sealed unit and capped with clear silicone
Cill extensions	Manufactured from extruded aluminium with options of cill projections and end caps
Fittings	A locking casement fastener to each operable sash with options in colour and finish
Restrictors	Restrictors which allows the opening of the sash to be restricted to 100mm is an option
Factory Finishing	To ensure the smooth operation and optimum performance of the window, we apply 3 coats of sprayed applied microporous water based paint system

FENSTER UAB
Kirtimų 47, LT-02244,
Vilnius, Lithuania
Phone.: + 370 5 206 0987
Mob.: +370 682 01711
Fax.: +370 5 206 0986
E-mail: info@zylefenster.com
www.zylefenster.com



PRODUCT TYPE	
ALUMINIUM CLAD HORIZONTAL PIVOT WINDOW	
TITLE	
VERTICAL SECTION	
DRAWING No.	
HP-A-78/02	
DATE	SCALE
2018/06/06	1:1.5 @ A3
CONSTRUCTION DETAILS	



FENSTER UAB
 Kirtimų 47, LT-02244,
 Vilnius, Lithuania
 Phone.: + 370 5 206 0987
 Mob.: +370 682 01711
 Fax.: +370 5 206 0986
 E-mail: info@zylefenster.com
 www.zylefenster.com



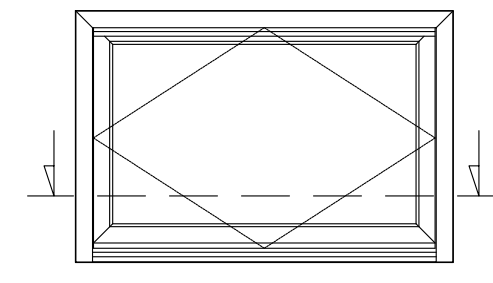
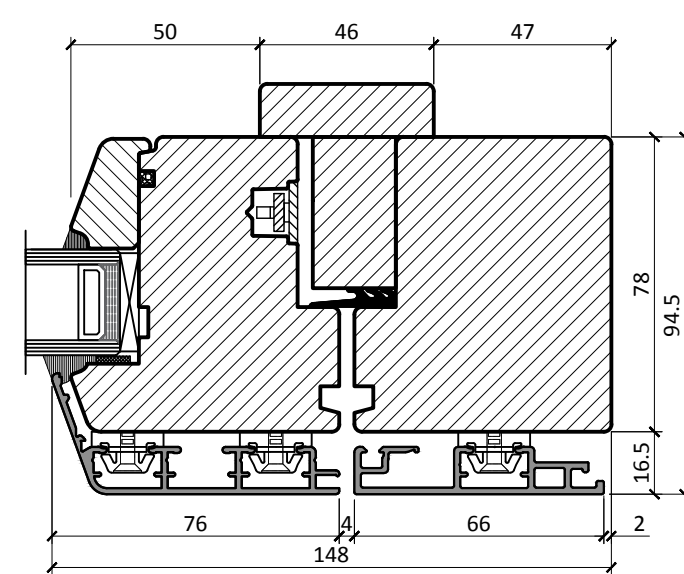
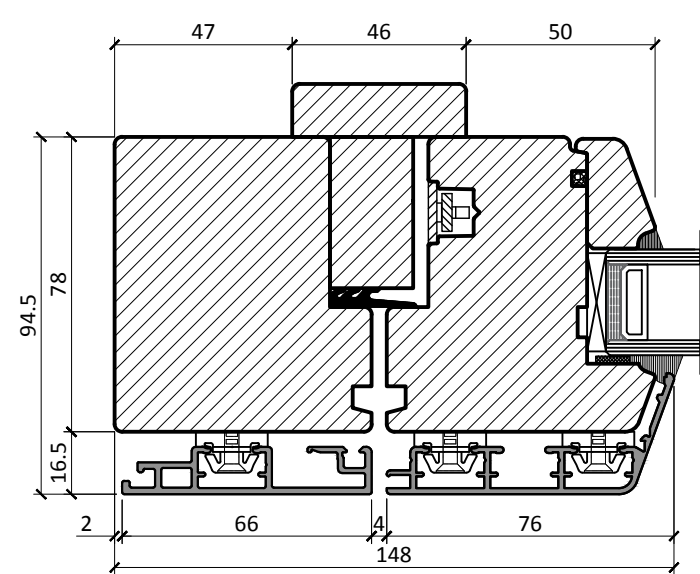
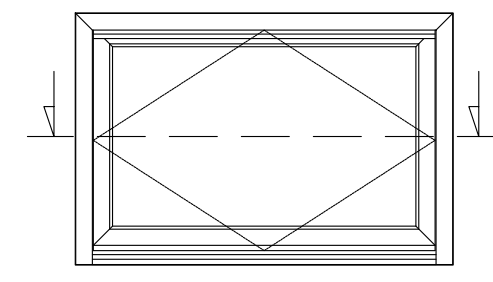
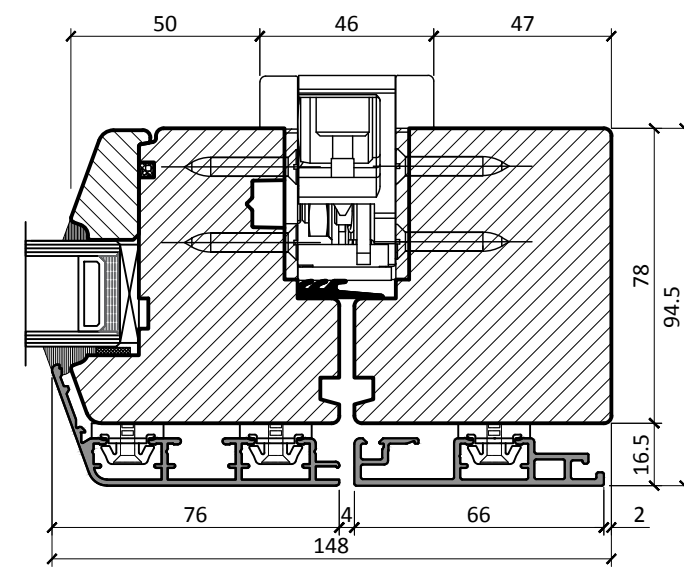
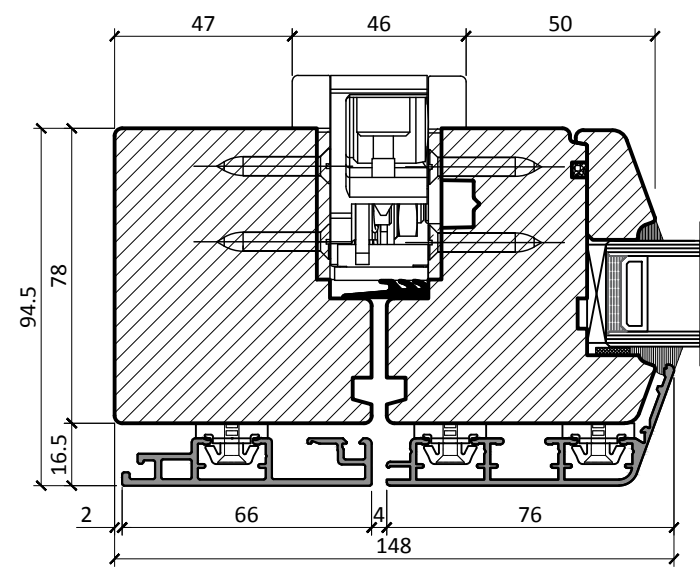
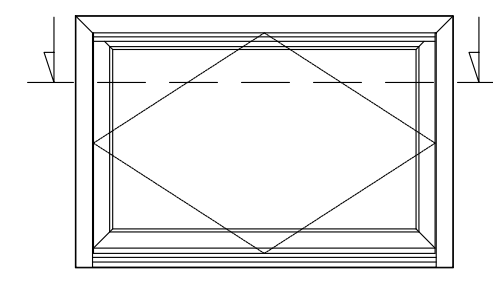
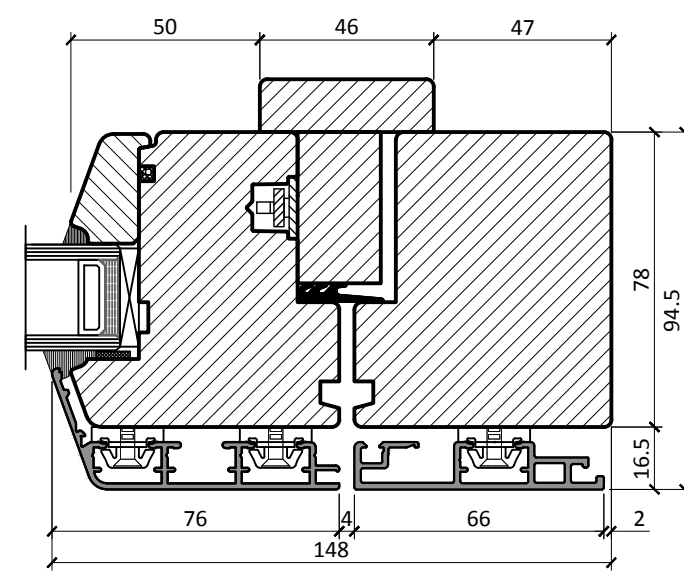
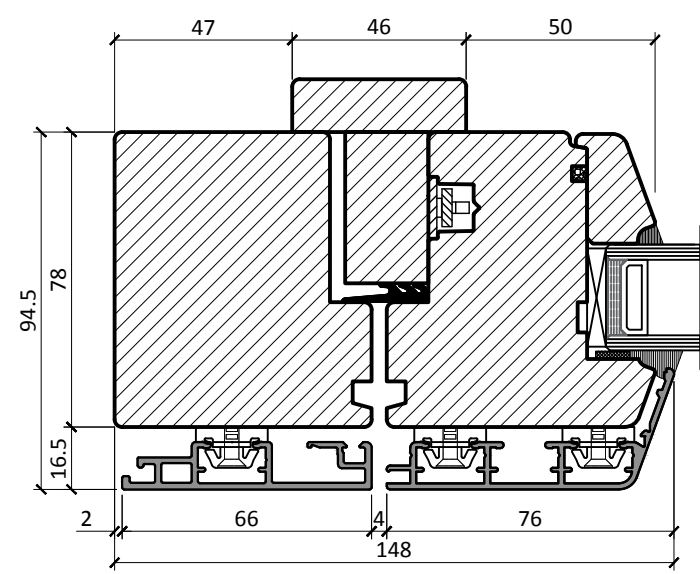
PRODUCT TYPE
**ALUMINIUM CLAD
 HORIZONTAL PIVOT
 WINDOW**

TITLE
HORIZONTAL SECTION

DRAWING No.
HP-A-78/03

DATE	SCALE
2018/06/06	1:2 @ A3

CONSTRUCTION DETAILS



FENSTER UAB
 Kirtimų 47, LT-02244,
 Vilnius, Lithuania
 Phone.: + 370 5 206 0987
 Mob.: +370 682 01711
 Fax.: +370 5 206 0986
 E-mail: info@zylefenster.com
 www.zylefenster.com

