

**REYNAERS MASTERLINE 8  
ALUMINIUM WINDOW**

TITLE

**ELEVATION DRAWING**

DRAWING No.

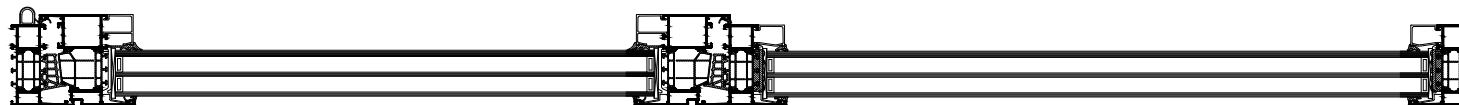
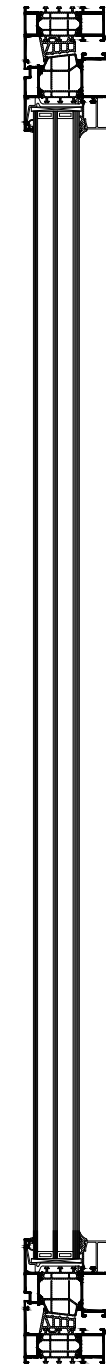
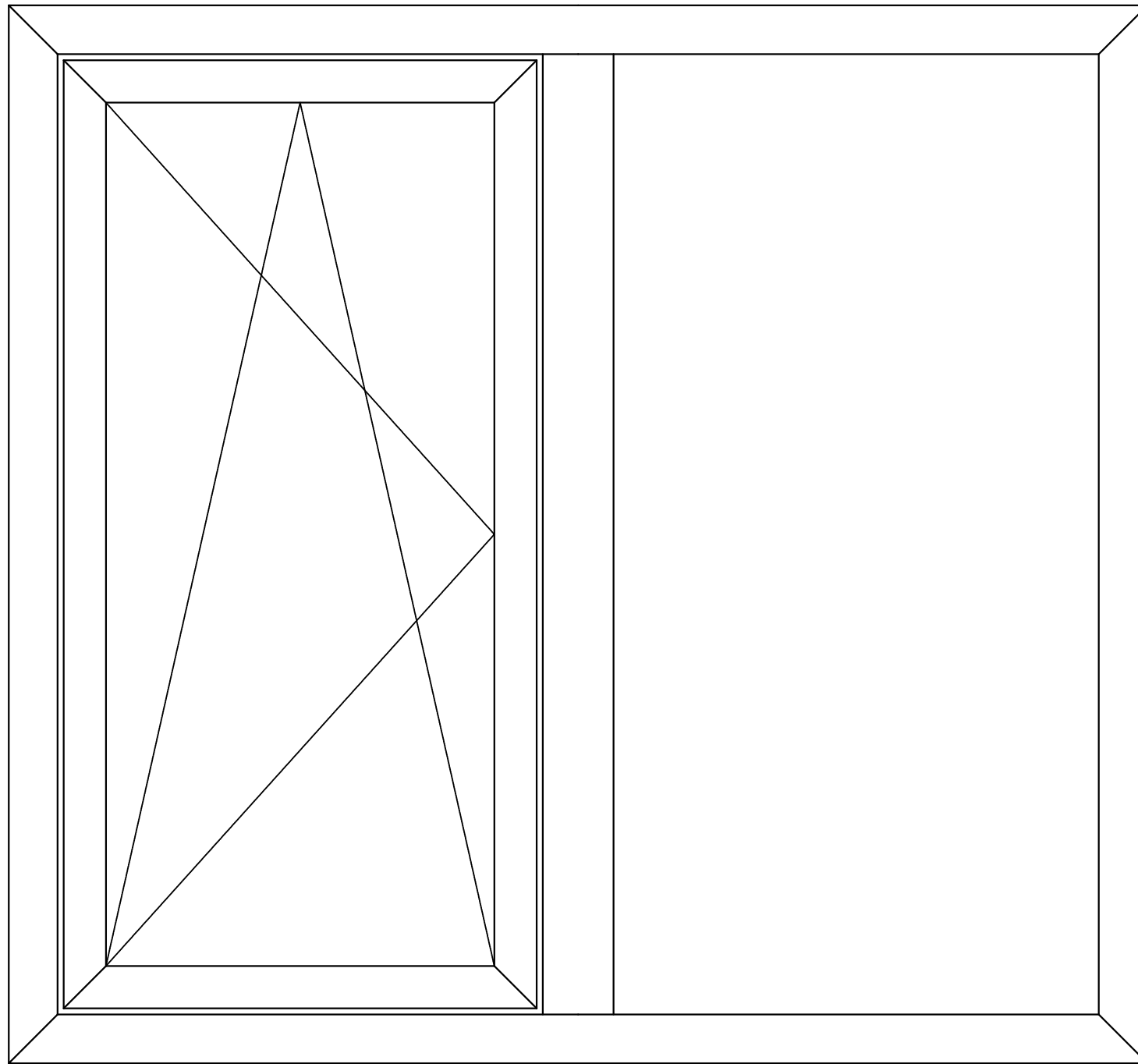
**R-A-ML8/01**

DATE

**2018/06/06**

SCALE

CONSTRUCTION DETAILS

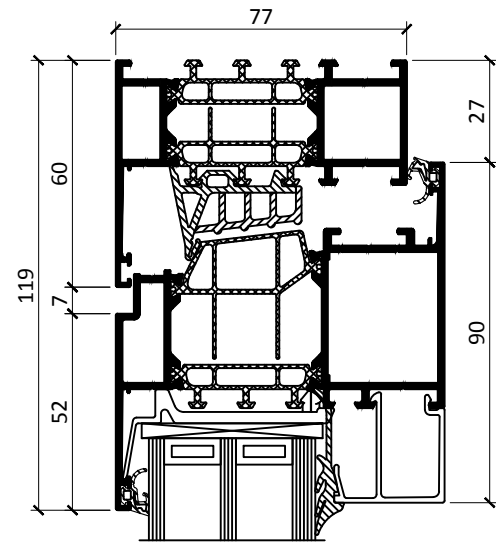


Material	Thermally broken aluminium system
Mechanism	Inward opening sashes operated on multiple turning mechanism with dual opening action, which allows ventilation and easy cleaning from the inside
Weatherseal	The window is fully weather sealed and tested to EN standards
Glass	The window is dry glazed with EPDM and can take dual or triple sealed units up to 62mm thickness
Thermal Performance	Uf-value down to 1.0 W/m2K depending on the frame/vent combination and the glass thickness
Fittings	Dual action fastener to each operable sash with options in colour and finish
Factory Finishing	Polyester powder coated available in single or dual colour

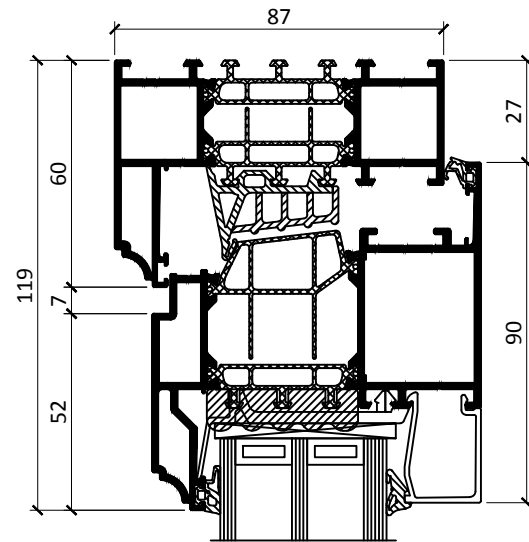
FENSTER UAB  
 Kirtimų 47, LT-02244,  
 Vilnius, Lithuania  
 Phone.: + 370 5 206 0987  
 Mob.: +370 682 01711  
 Fax.: +370 5 206 0986  
 E-mail: info@zylefenster.com  
 www.zylefenster.com



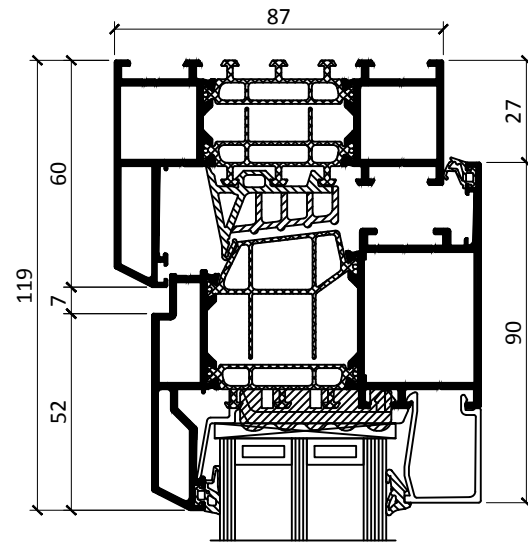
**FUNCTIONAL**



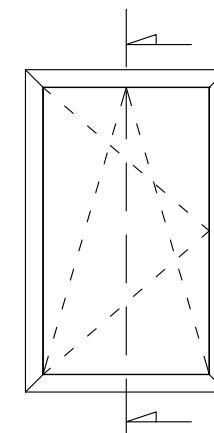
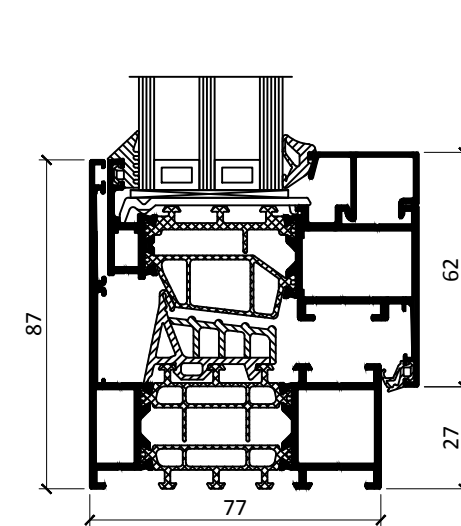
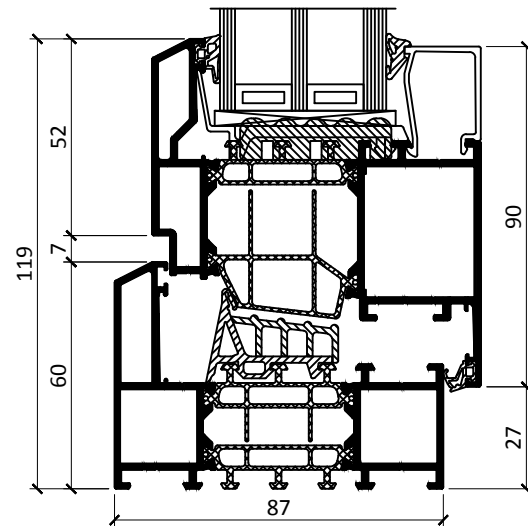
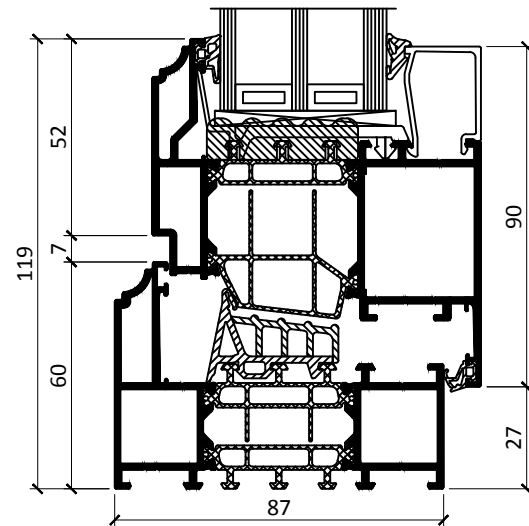
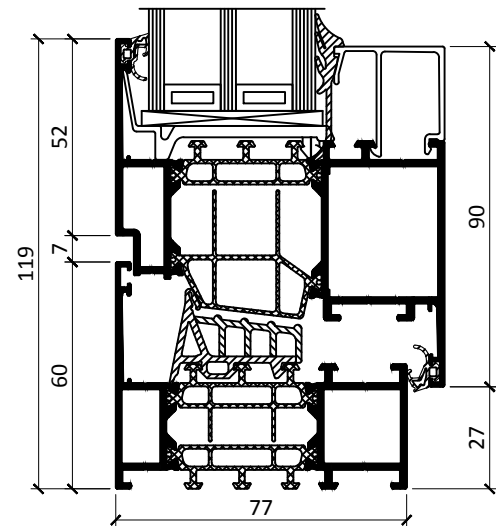
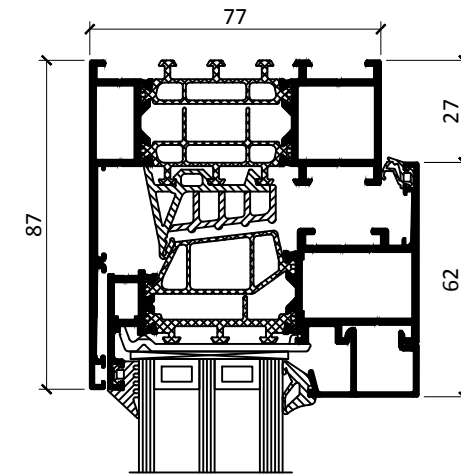
**RENAISSANCE**



**DECO**



**HIDDEN VENT**



FENSTER UAB  
Kirtimų 47, LT-02244,  
Vilnius, Lithuania  
Phone.: + 370 5 206 0987  
Mob.: +370 682 01711  
Fax.: +370 5 206 0986  
E-mail: info@zylefenster.com  
www.zylefenster.com