

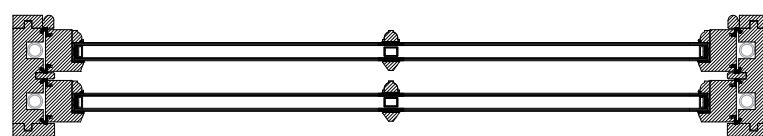
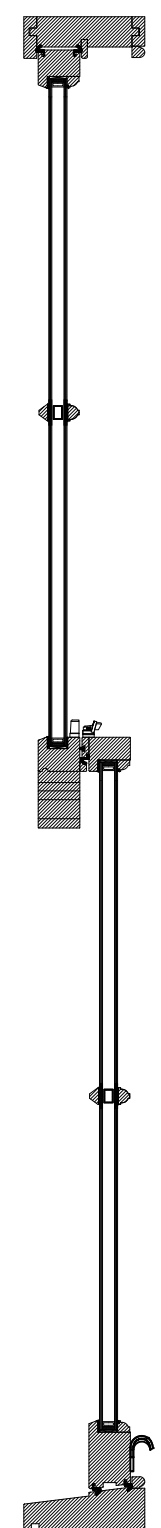
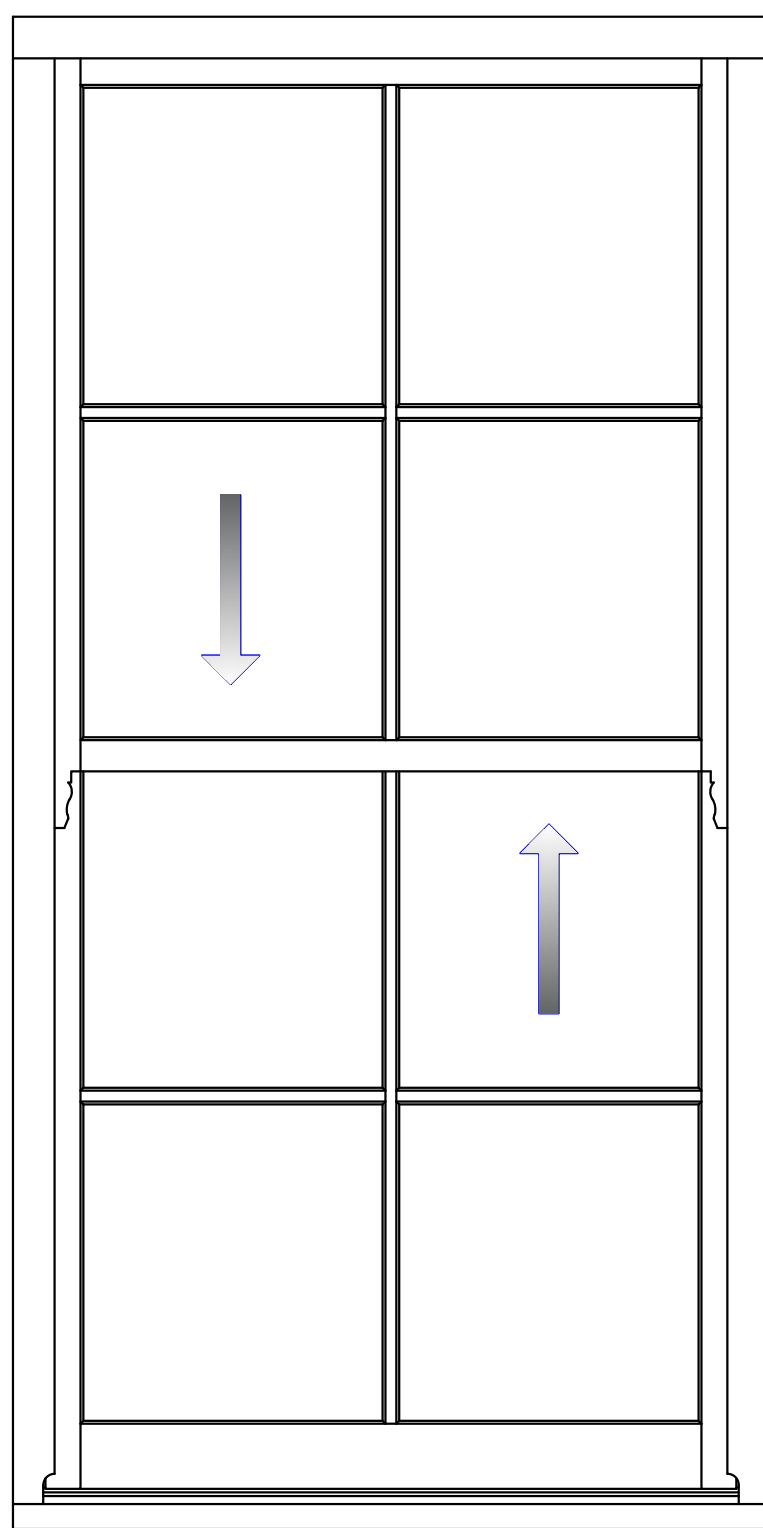
TRADITIONAL SASH WINDOW WITH SPIRAL BALANCES

TITLE
ELEVATION DRAWING

DRAWING No.
SPIRAL-160/01

DATE	SCALE
2018/06/06	1:10 @ A3

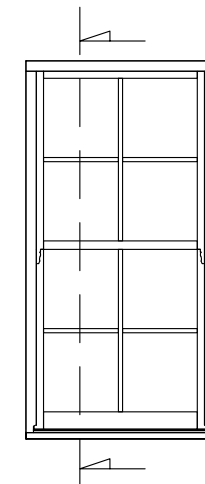
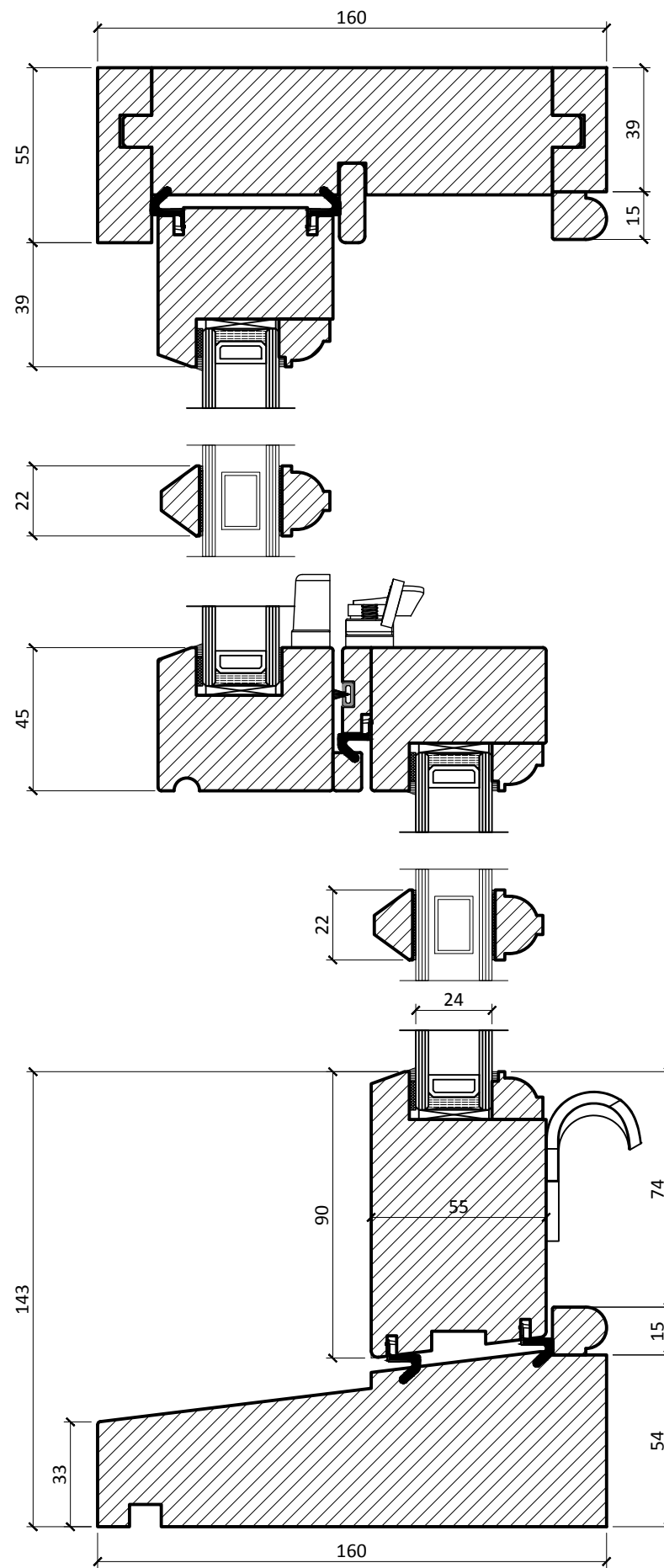
CONSTRUCTION DETAILS



Material	Manufactured in selected engineered laminated pine or hardwood, sourced from sustainable and managed forestry (FSC or PFEC certified)
Mechanism	Sashes are hung on Pre tensioned constant force spiral balances
Weatherseal	The window is fully weather sealed to BS EN 6375-1 2009
Glazing	Windows are internally beaded with the external rebate up stand to give the appearance of putty glazing
Glass	The window is factory glazed with 24 mm thickness dual sealed units
Thermal Performance	Thermal performance is calculated by the standards of EN ISO 10077-1:2006 and typically this window achieves a U-value of 1.6 W/m ² K or better
Glazing Bars	Applied bars are used to achieve the slim section of traditional glazing bars. These are applied with double sided glazing tape to both faces of the sealed unit and capped with clear silicone
Cills	Manufactured in Hardwood with options of cill projections
Horns	Solid feature horns to top sashes are included as standard (See Drawing No H-001)
Fittings	A lockable Fitch fastener and two finger pulls to the bottom sash with options in colour and finish
Ventilation	A controllable trickle ventilator can be fitted to the window dependant on width of frame (See Drawing No SPIRAL-160/09)
Restrictors	Restrictors which allows the opening of the sash to be restricted to 100mm is an option
Factory Finishing	To ensure the smooth operation and optimum performance of the window, we apply 3 coats of sprayed applied microporous water based paint system

FENSTER UAB
Kirtimų 47, LT-02244,
Vilnius, Lithuania
Phone.: + 370 5 206 0987
Mob.: +370 682 01711
Fax.: +370 5 206 0986
E-mail: info@zylefenster.com
www.zylefenster.com





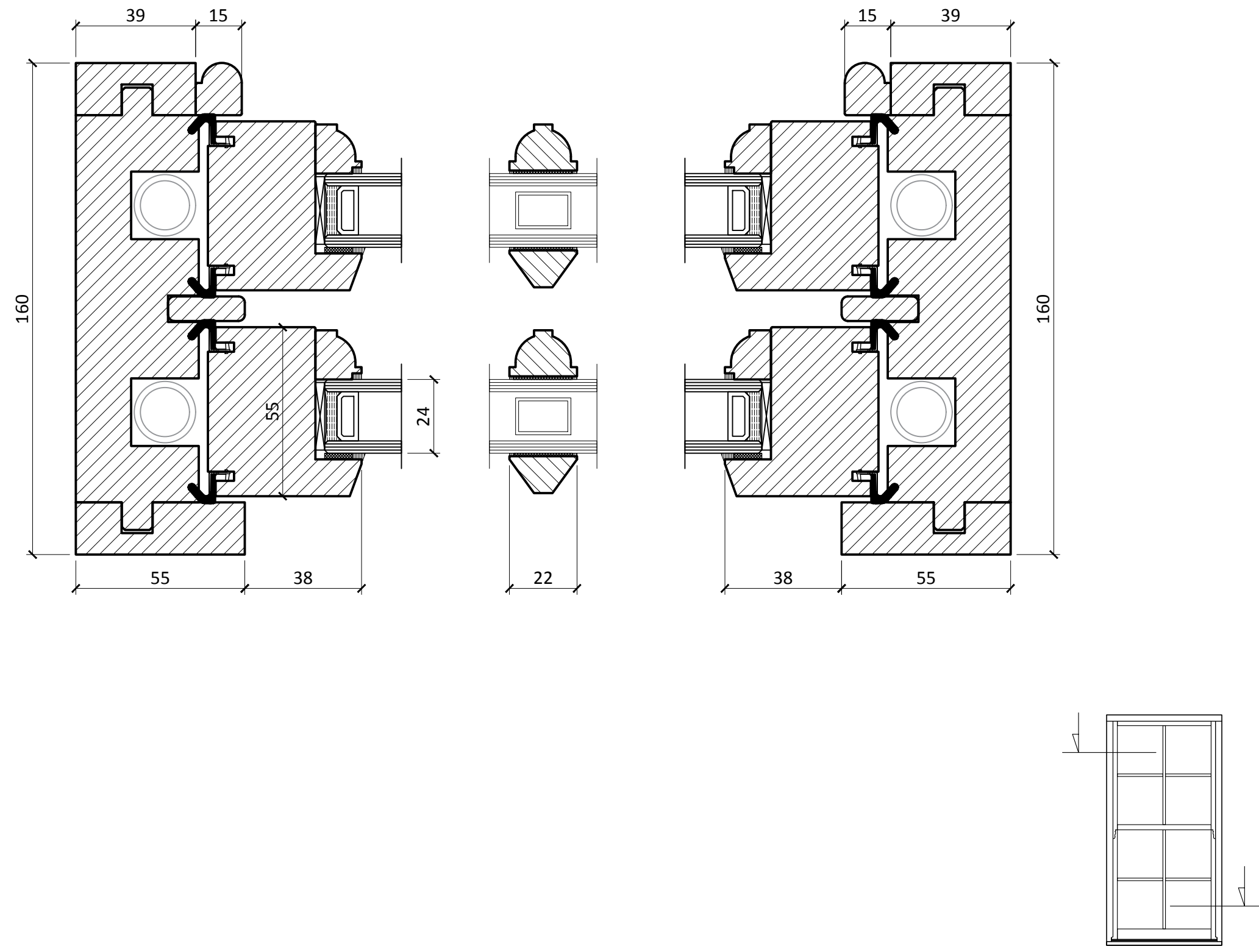
PRODUCT TYPE	
TRADITIONAL SASH WINDOW WITH SPIRAL BALANCES	
TITLE	
VERTICAL SECTION	
DRAWING No.	
SPIRAL-160/02.1	
DATE	SCALE
2018/06/06	1:2 @ A3

CONSTRUCTION DETAILS

FENSTER UAB
 Kirtimų 47, LT-02244,
 Vilnius, Lithuania
 Phone.: + 370 5 206 0987
 Mob.: +370 682 01711
 Fax.: +370 5 206 0986
 E-mail: info@zylefenster.com
 www.zylefenster.com



PRODUCT TYPE	
TRADITIONAL SASH WINDOW WITH SPIRAL BALANCES	
TITLE	
HORIZONTAL SECTION	
DRAWING No.	
SPIRAL-160/03.1	
DATE	SCALE
2018/06/06	1:1.5 @ A3
CONSTRUCTION DETAILS	



FENSTER UAB
 Kirtimų 47, LT-02244,
 Vilnius, Lithuania
 Phone.: + 370 5 206 0987
 Mob.: +370 682 01711
 Fax.: +370 5 206 0986
 E-mail: info@zylefenster.com
 www.zylefenster.com



PRODUCT TYPE

TRADITIONAL SASH WINDOW WITH SPIRAL BALANCES

TITLE
GLAZING BAR AND BEAD OPTIONS

DRAWING No.
SPIRAL-160/04.1

DATE
2018/06/06

SCALE
1:1 @ A3

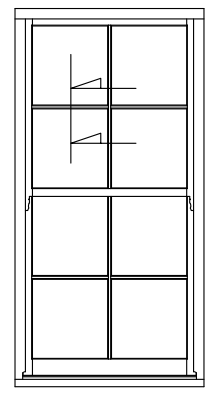
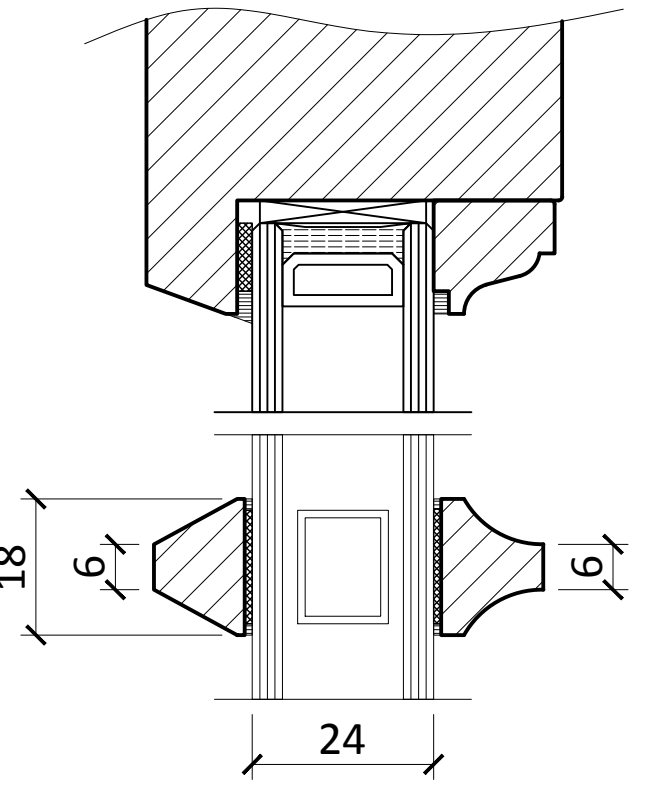
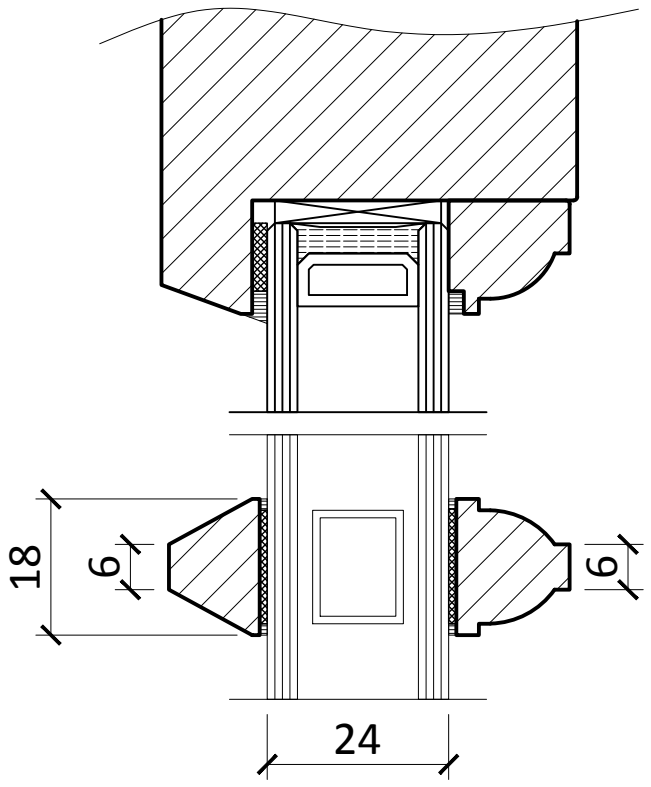
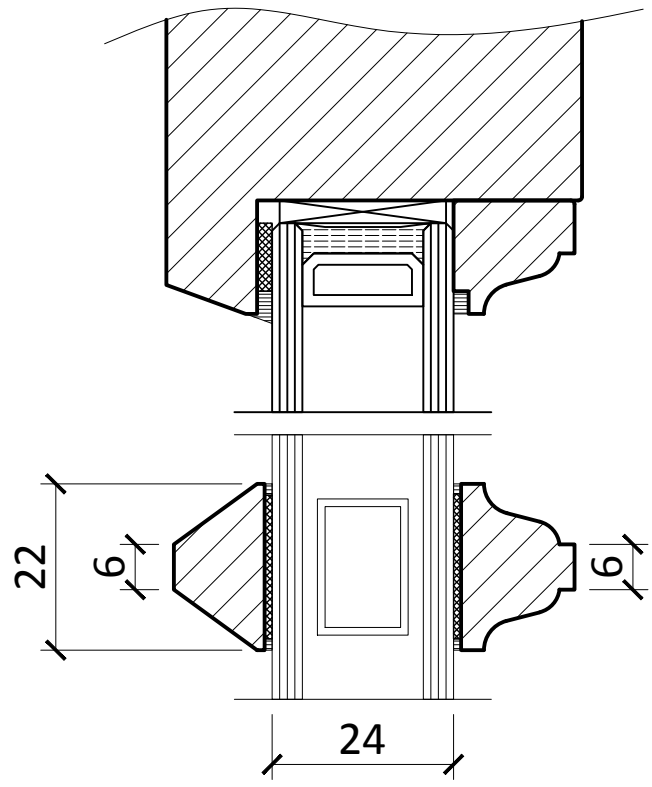
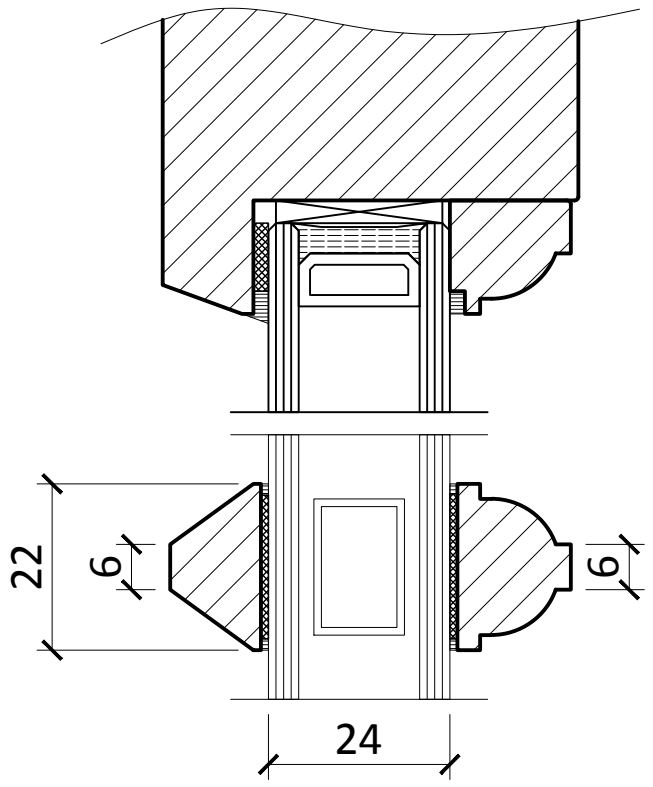
CONSTRUCTION DETAILS

Ovolo Profile 1

Lambs Tongue Profile 1

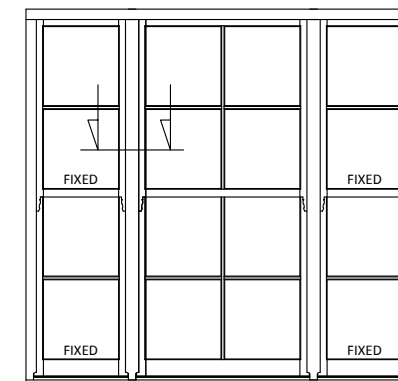
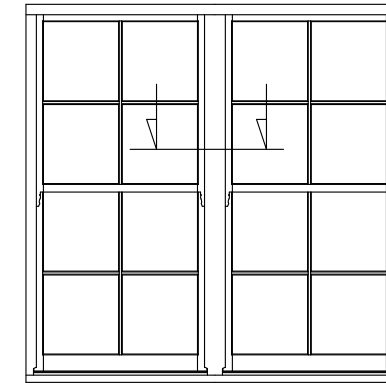
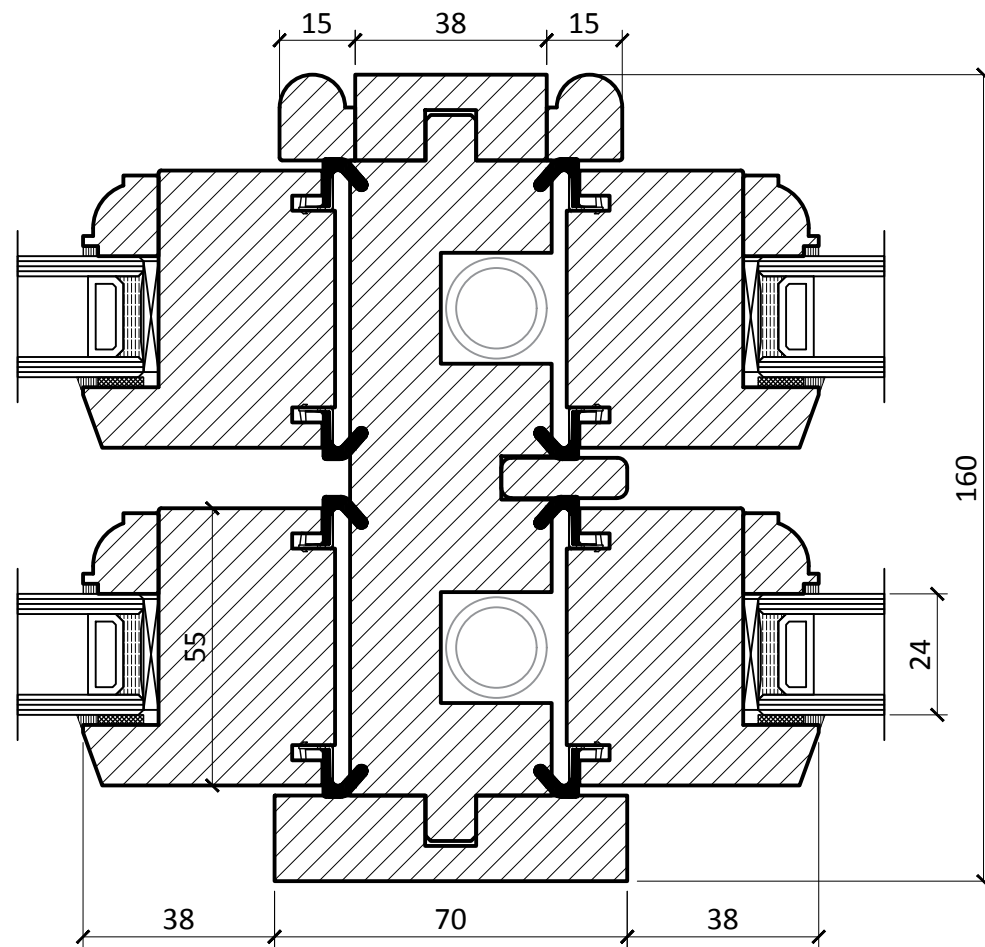
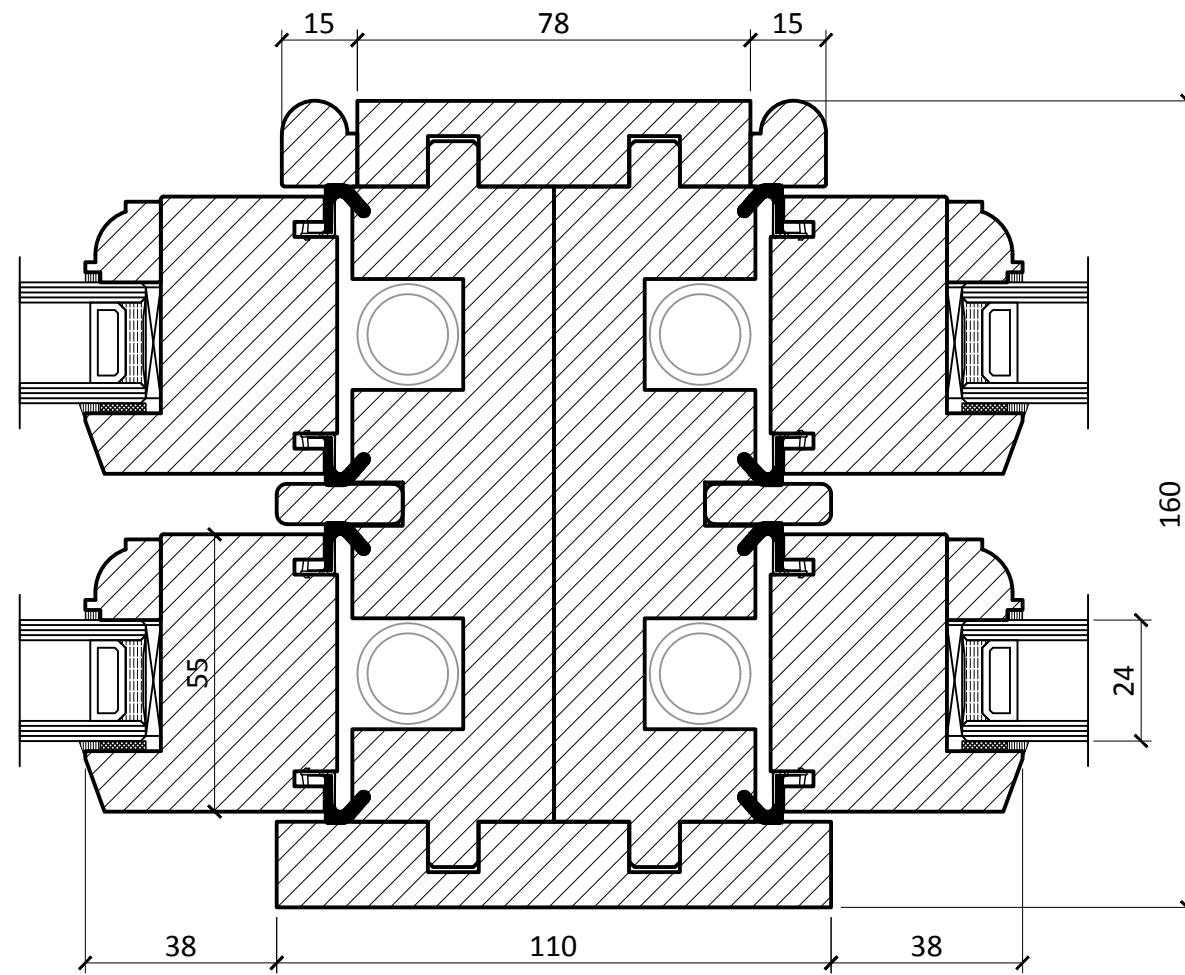
Ovolo Profile 2

Lambs Tongue Profile 2



FENSTER UAB
 Kirtimų 47, LT-02244,
 Vilnius, Lithuania
 Phone.: + 370 5 206 0987
 Mob.: +370 682 01711
 Fax.: +370 5 206 0986
 E-mail: info@zylefenster.com
 www.zylefenster.com





PRODUCT TYPE	
TRADITIONAL SASH WINDOW WITH SPIRAL BALANCES	
TITLE	
MULLION DETAIL	
DRAWING No.	
SPIRAL-160/05.1	
DATE	SCALE
2018/06/06	1:1.5 @ A3

CONSTRUCTION DETAILS

FENSTER UAB
 Kirtimų 47, LT-02244,
 Vilnius, Lithuania
 Phone.: + 370 5 206 0987
 Mob.: +370 682 01711
 Fax.: +370 5 206 0986
 E-mail: info@zylefenster.com
 www.zylefenster.com



PRODUCT TYPE
TRADITIONAL SASH WINDOW WITH SPIRAL BALANCES

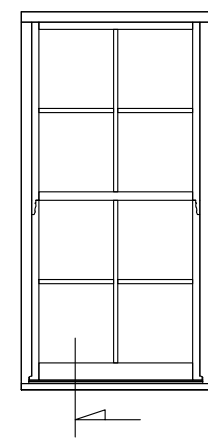
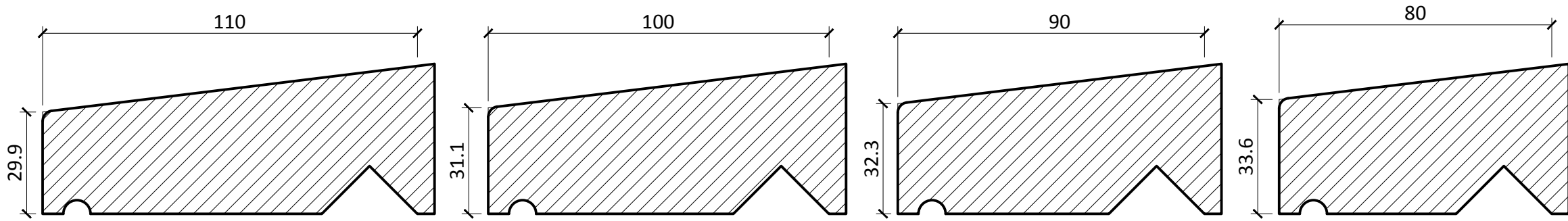
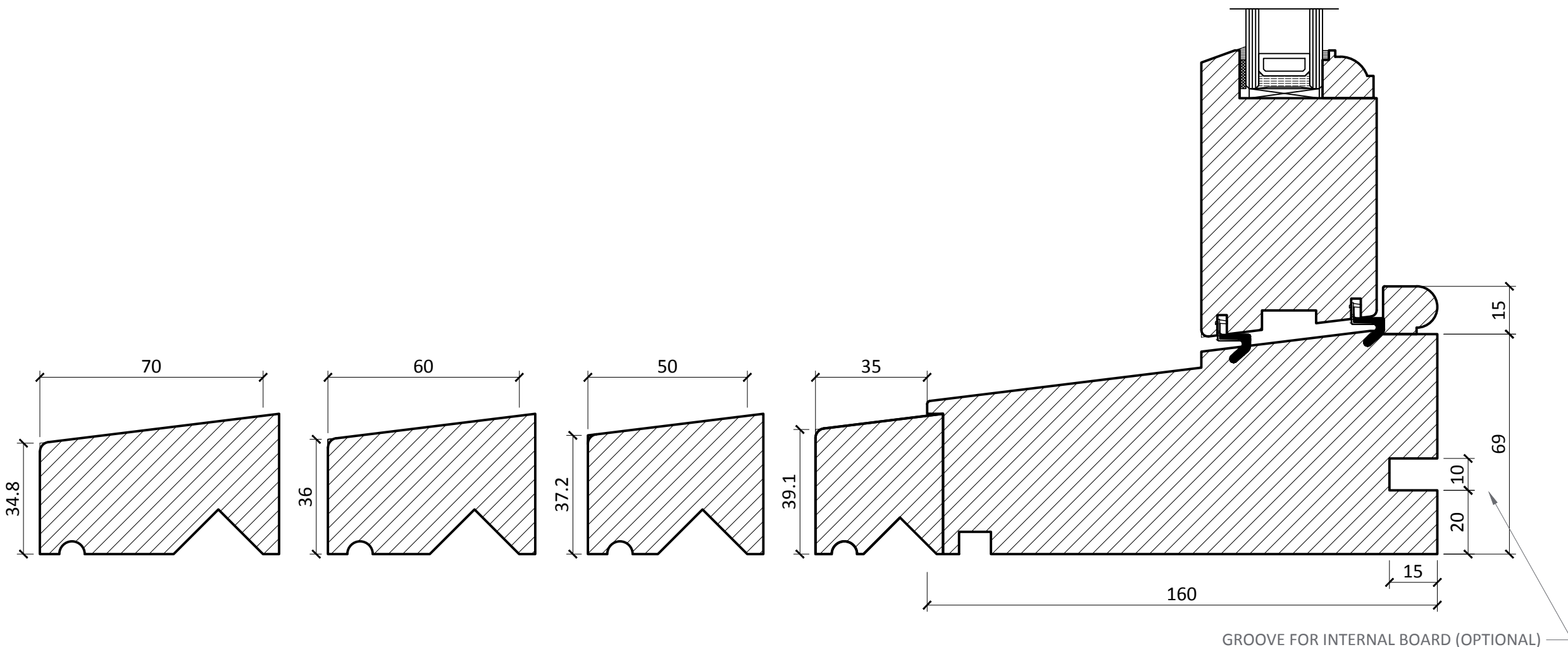
TITLE
CILL EXTENSION OPTIONS

DRAWING No.
SPIRAL-160/06

DATE
2018/06/06

SCALE
1:1.5 @ A3

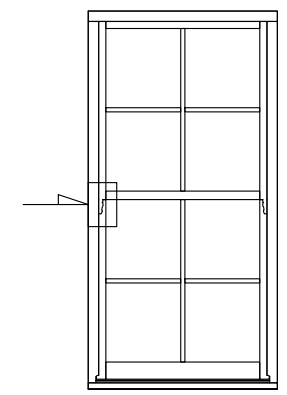
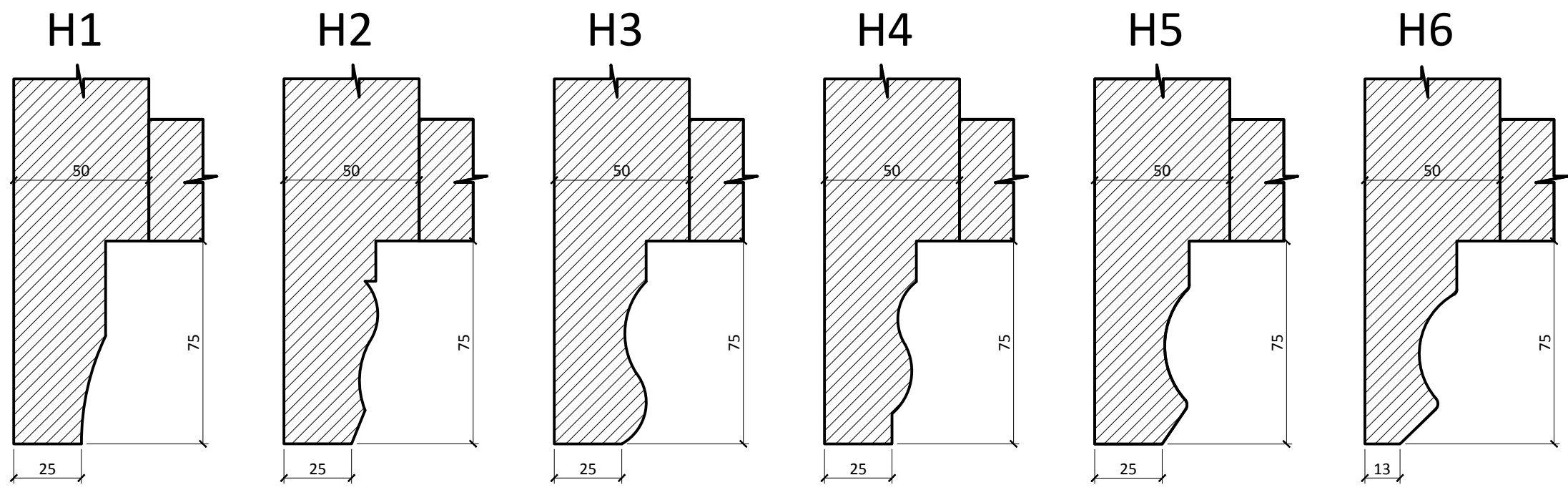
CONSTRUCTION DETAILS



FENSTER UAB
 Kirtimų 47, LT-02244,
 Vilnius, Lithuania
 Phone.: + 370 5 206 0987
 Mob.: +370 682 01711
 Fax.: +370 5 206 0986
 E-mail: info@zylefenster.com
 www.zylefenster.com

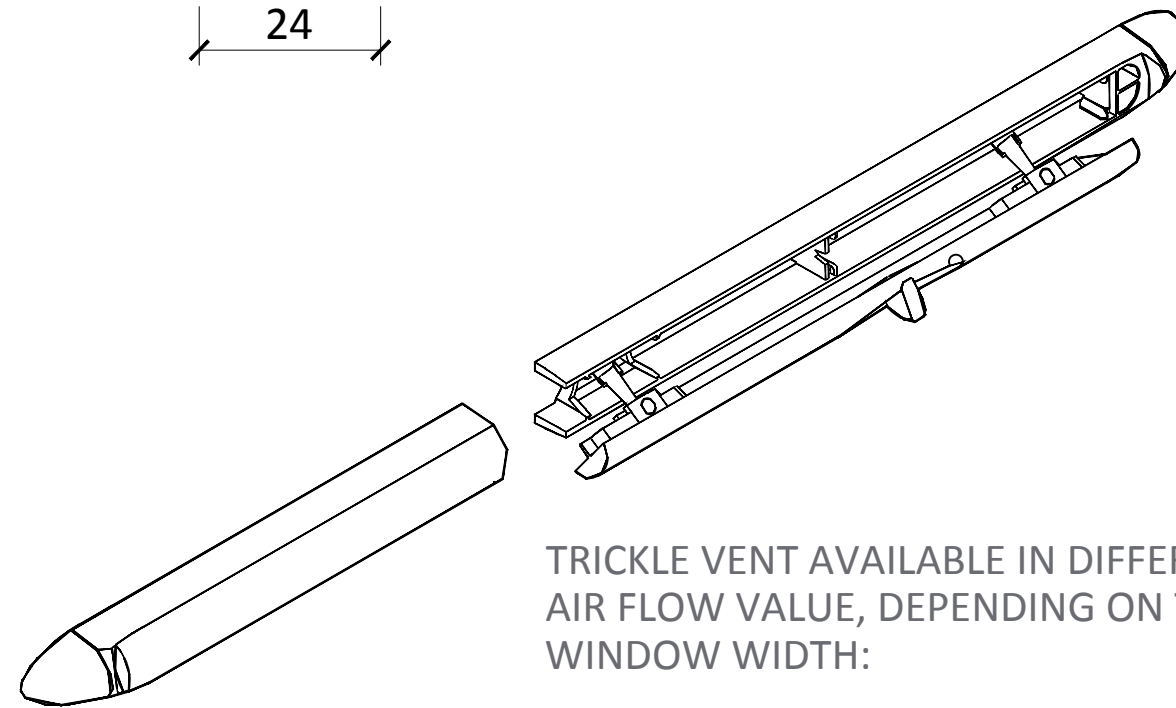
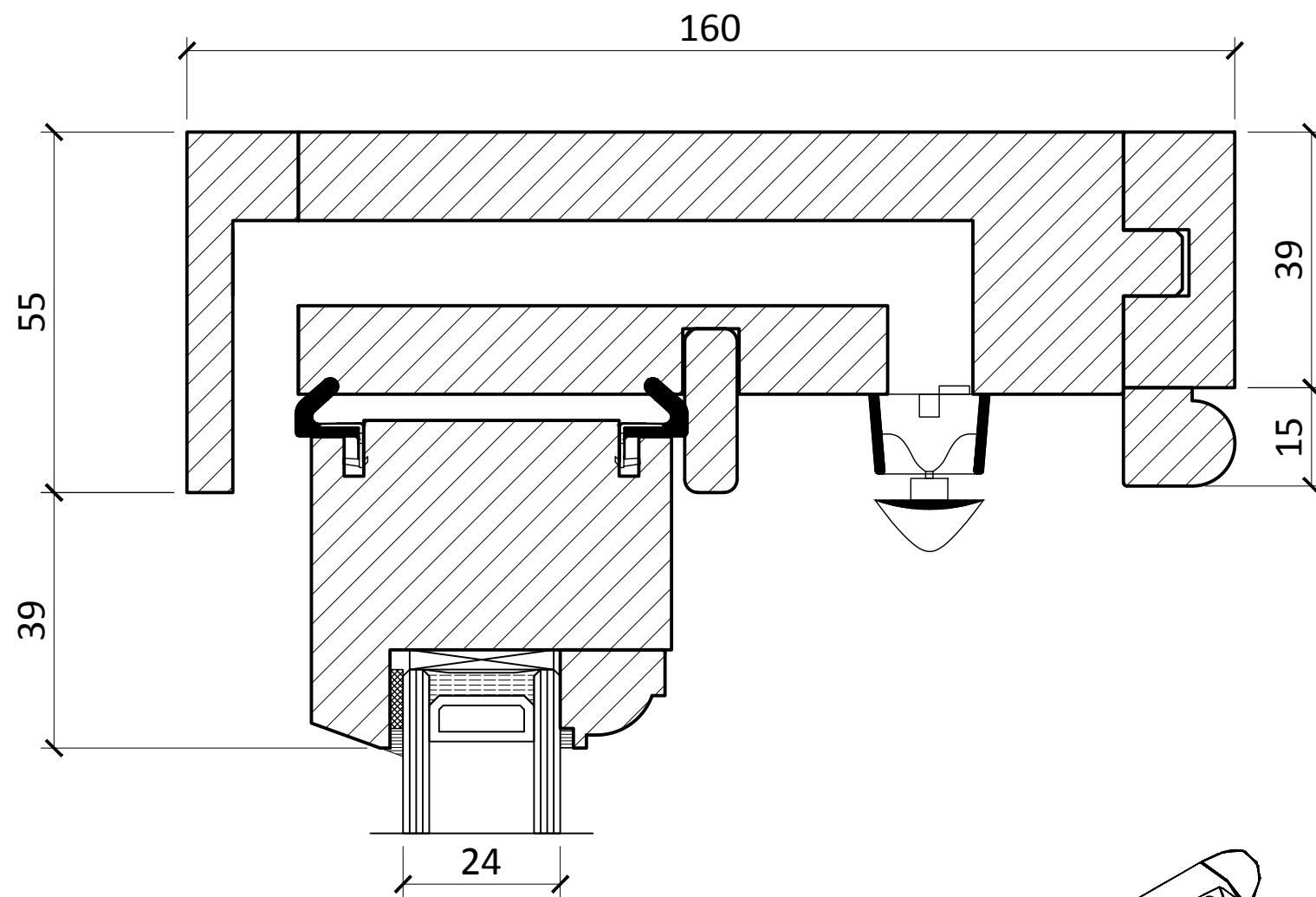


PRODUCT TYPE	
TRADITIONAL SASH WINDOW WITH SPIRAL BALANCES	
TITLE	
SASH HORN OPTIONS	
DRAWING No.	
H-001	
DATE	SCALE
2018/06/06	1:2 @ A3
CONSTRUCTION DETAILS	



FENSTER UAB
 Kirtimų 47, LT-02244,
 Vilnius, Lithuania
 Phone.: + 370 5 206 0987
 Mob.: +370 682 01711
 Fax.: +370 5 206 0986
 E-mail: info@zylefenster.com
 www.zylefenster.com



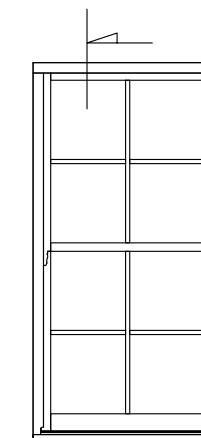


TRICKLE VENT AVAILABLE IN DIFFERENT AIR FLOW VALUE, DEPENDING ON THE WINDOW WIDTH:

* - 1700 mm² EA

* - 4400 mm² EA

* - 5000 mm² EA



PRODUCT TYPE

TRADITIONAL SASH WINDOW WITH SPIRAL BALANCES

TITLE

CONCEALED TRICKLE VENT

DRAWING No.

SPIRAL-160/07

DATE

2018/06/06

SCALE

1:1 @ A3

CONSTRUCTION DETAILS

FENSTER UAB
 Kirtimų 47, LT-02244,
 Vilnius, Lithuania
 Phone.: + 370 5 206 0987
 Mob.: +370 682 01711
 Fax.: +370 5 206 0986
 E-mail: info@zylefenster.com
 www.zylefenster.com

