

**TILT & TURN
TIMBER WINDOW**

TITLE

ELEVATION DRAWING

DRAWING No.

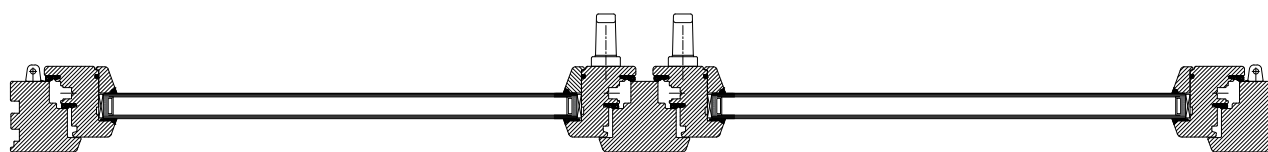
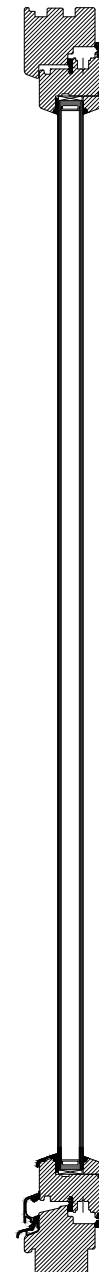
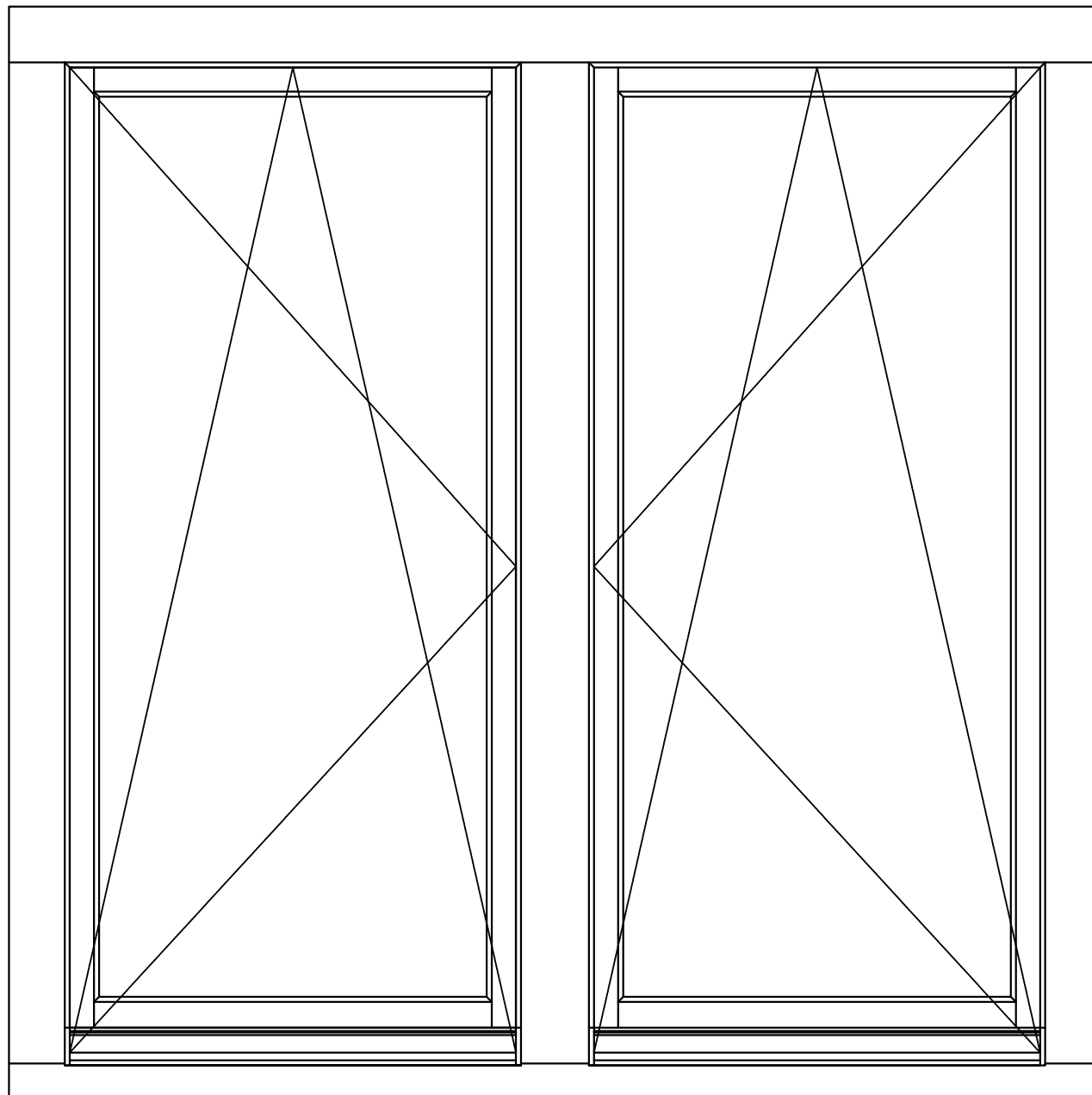
TT-W-78/01

DATE

2018/06/06

SCALE

CONSTRUCTION DETAILS



Material	Manufactured in selected engineered laminated pine or hardwood, sourced from sustainable and managed forestry (FSC or PFEC certified)
Mechanism	Sashes operated on multiple turning mechanism with dual opening action, which allows ventilation and easy cleaning from the inside
Security (optional)	Fully tested to Secure by design standards PAS 24:2012
Weatherseal	The window is fully weather sealed to BS EN 6375-1 2009
Glass	The window is factory glazed and can take dual or triple sealed units up to 48mm thickness
Thermal Performance	Thermal performance is calculated by the standards of EN ISO 10077-1:2006 and this window achieves a U-value from 1.3 W/m ² K down to 0.8 W/m ² K
Glazing Bars	Applied bars are used to achieve the slim section of traditional glazing bars. These are applied with double sided glazing tape to both faces of the sealed unit and capped with clear silicone
Cill Extensions	Manufactured in hardwood with options of cill projections
Fittings	Dual action fastener to each operable sash with options in colour and finish. Concealed hinges is an option
Ventilation	A controllable trickle ventilator can be fitted to the window dependant on width of sash or frame (See Drawing No TT-W-78/11)
Factory Finishing	To ensure the smooth operation and optimum performance of the window, we apply 3 coats of sprayed applied microporous water based paint system

FENSTER UAB
Kirtimų 47, LT-02244,
Vilnius, Lithuania
Phone.: + 370 5 206 0987
Mob.: +370 682 01711
Fax.: +370 5 206 0986
E-mail: info@zylefenster.com
www.zylefenster.com



TILT & TURN TIMBER WINDOW

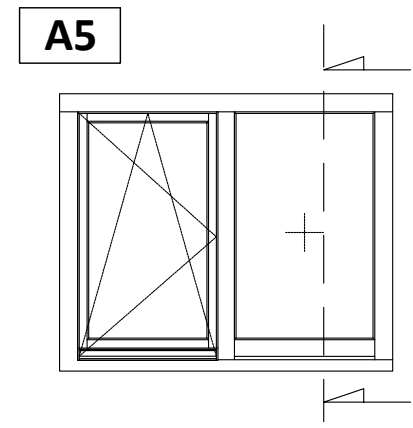
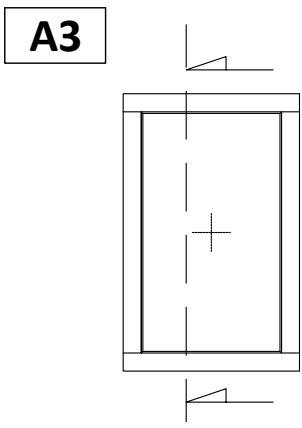
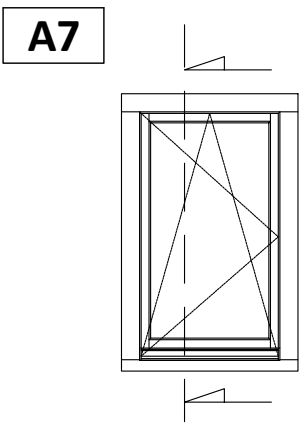
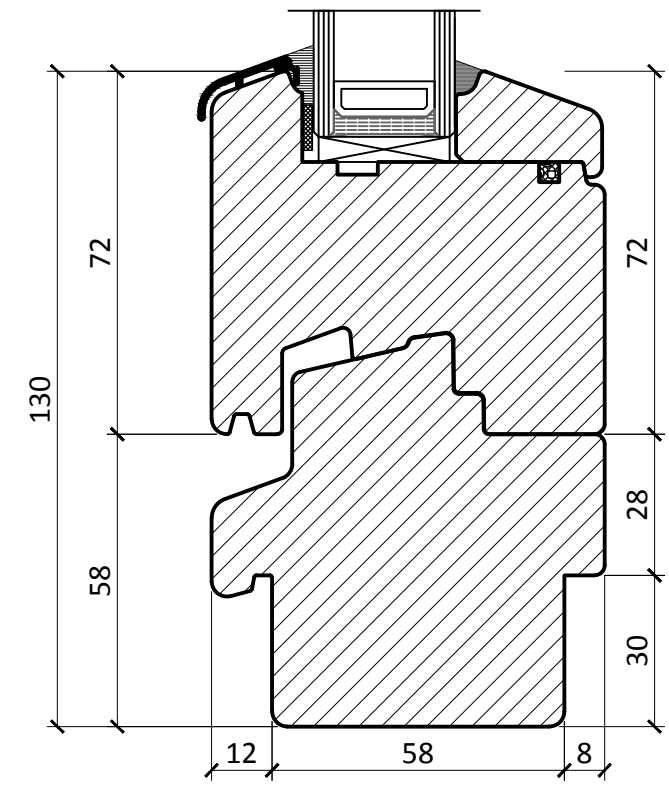
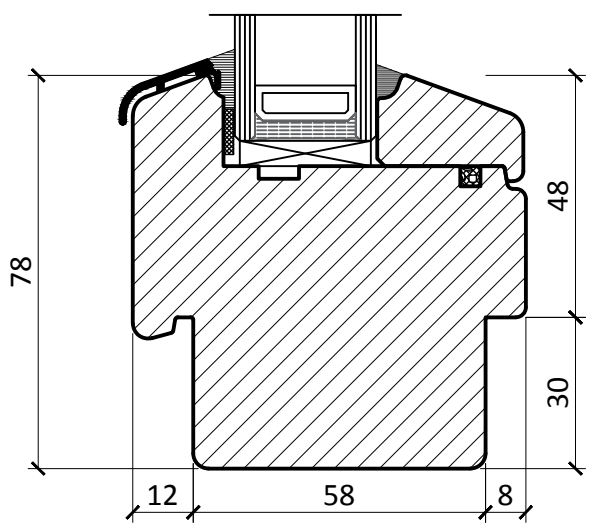
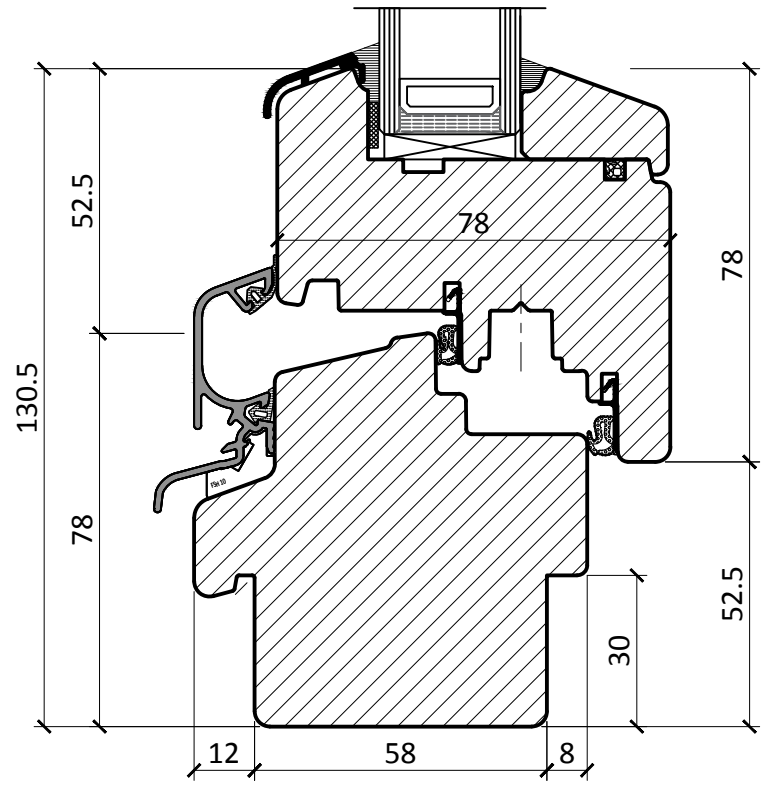
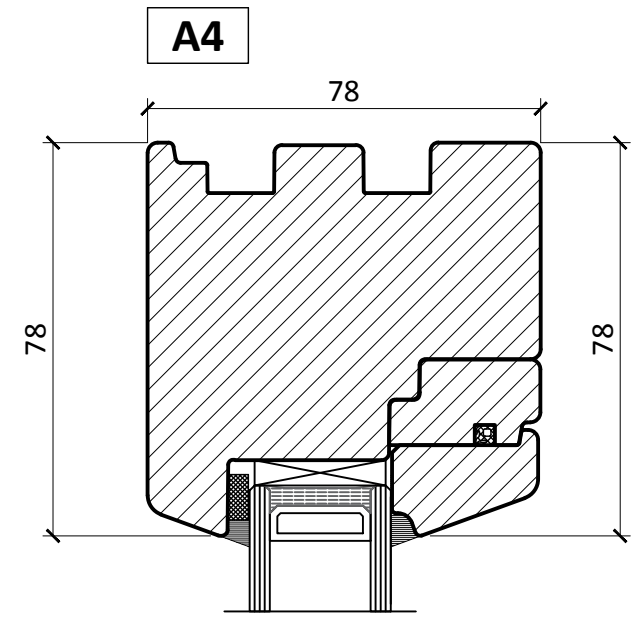
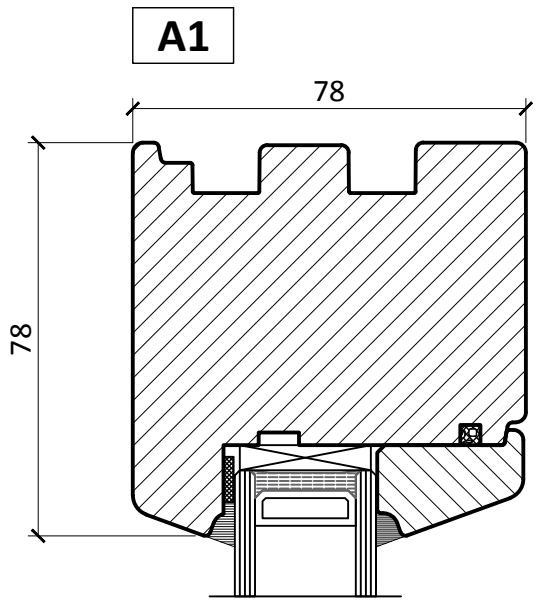
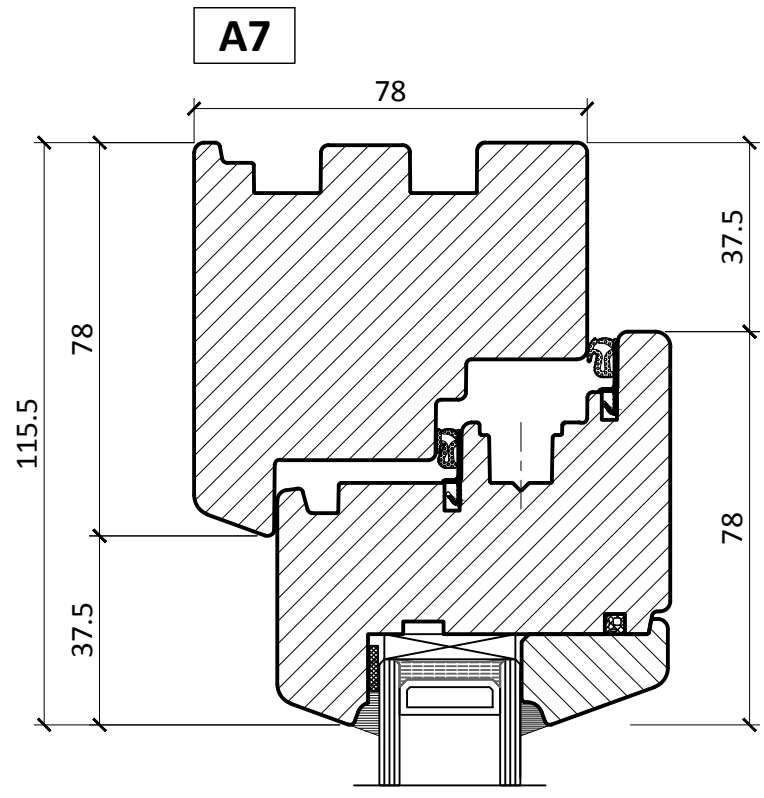
TITLE
VERTICAL SECTION

DRAWING No.
TT-W-78/02

DATE
2018/06/06

SCALE
1:1.5 @ A3

CONSTRUCTION DETAILS



FENSTER UAB
 Kirtimų 47, LT-02244,
 Vilnius, Lithuania
 Phone.: + 370 5 206 0987
 Mob.: +370 682 01711
 Fax.: +370 5 206 0986
 E-mail: info@zylefenster.com
 www.zylefenster.com



TILT & TURN TIMBER WINDOW

TITLE

HORIZONTAL SECTION

DRAWING No.

TT-W-78/03

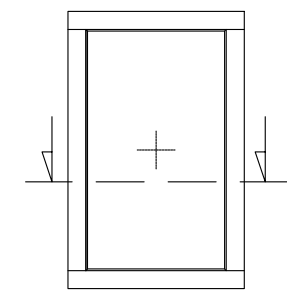
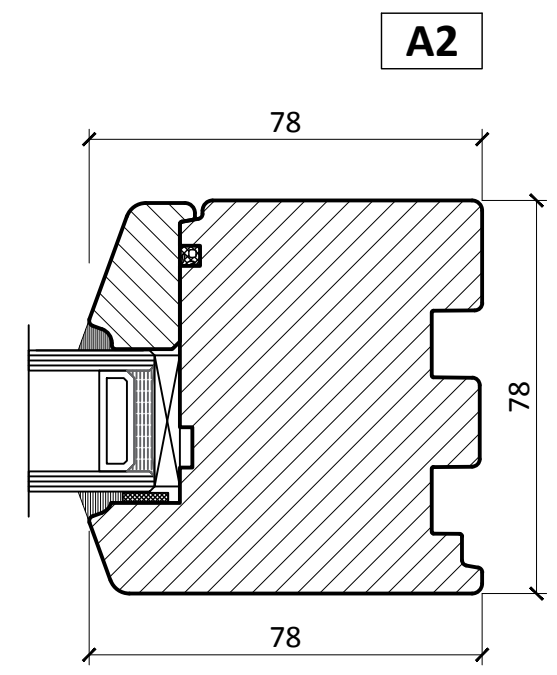
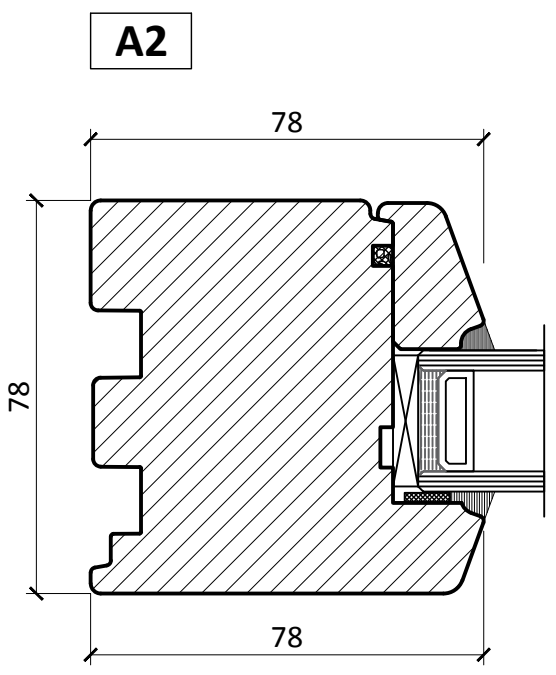
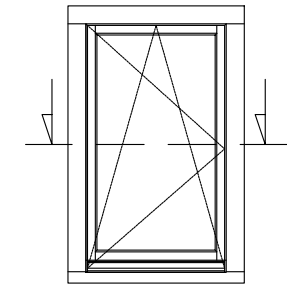
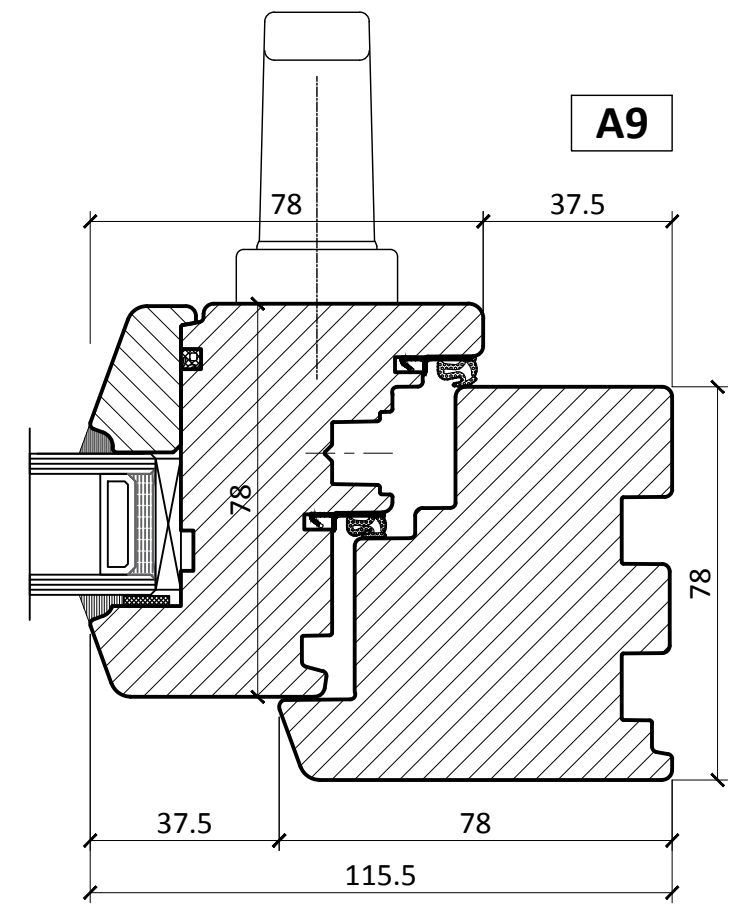
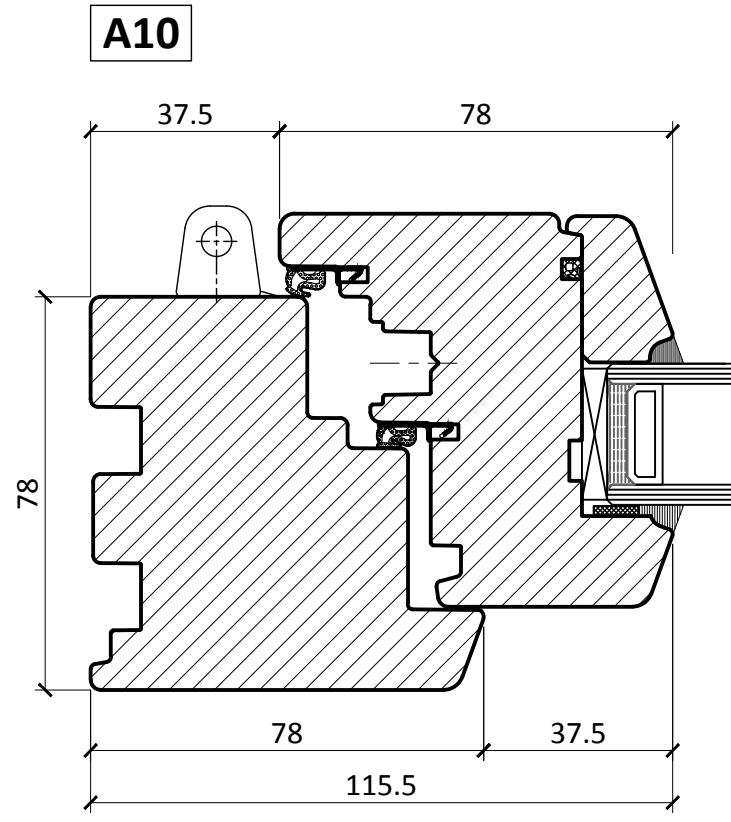
DATE

2018/06/06

SCALE

1:1.5 @ A3

CONSTRUCTION DETAILS



FENSTER UAB
 Kirtimų 47, LT-02244,
 Vilnius, Lithuania
 Phone.: + 370 5 206 0987
 Mob.: +370 682 01711
 Fax.: +370 5 206 0986
 E-mail: info@zylefenster.com
 www.zylefenster.com



TILT & TURN TIMBER WINDOW

TITLE

MULLION DETAILS

DRAWING No.

TT-W-78/04

DATE

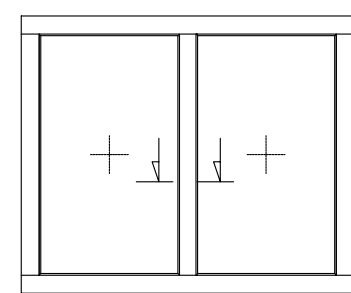
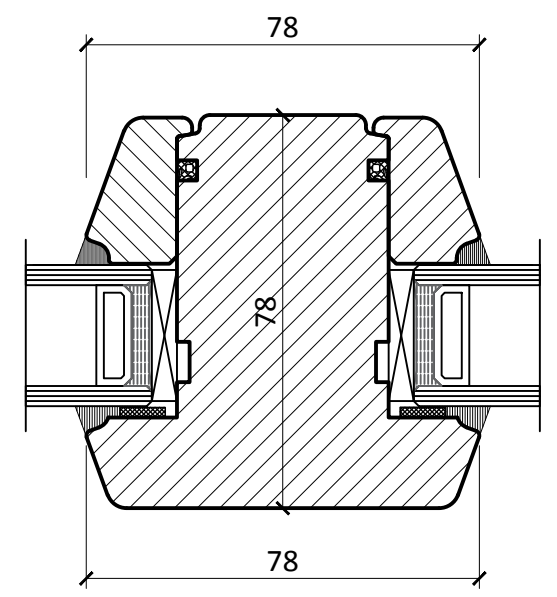
2018/06/06

SCALE

1:1.5 @ A3

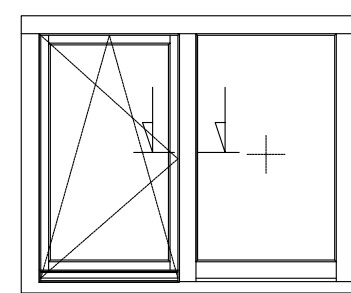
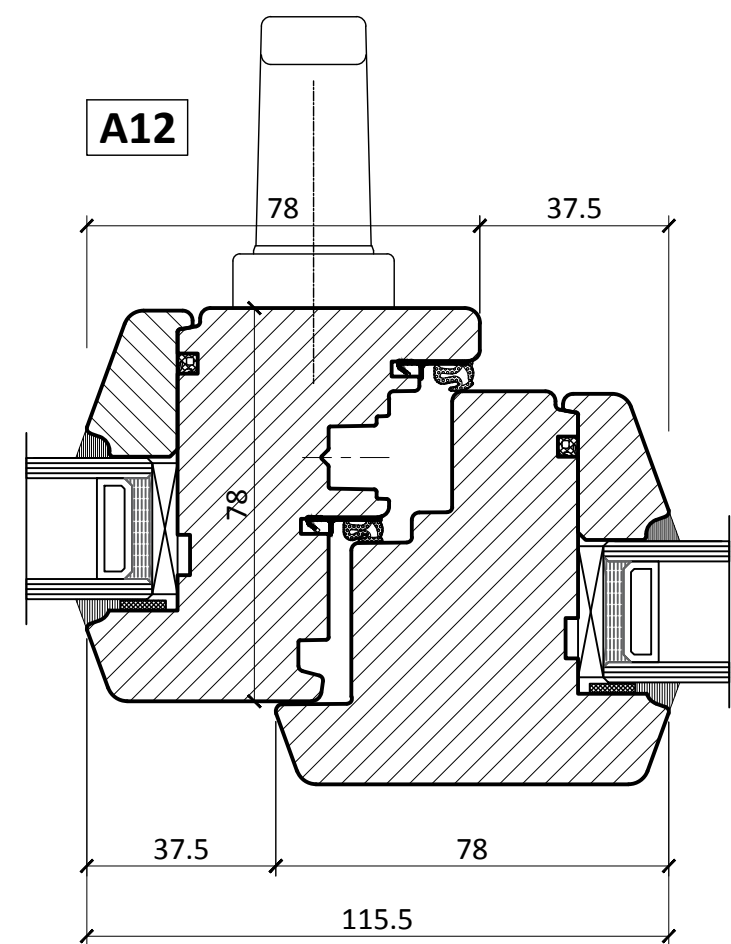
CONSTRUCTION DETAILS

A11



DIRECT GLAZED

A12



TILT & TURN NEXT TO
DIRECT GLAZED

FENSTER UAB
 Kirtimų 47, LT-02244,
 Vilnius, Lithuania
 Phone.: + 370 5 206 0987
 Mob.: +370 682 01711
 Fax.: +370 5 206 0986
 E-mail: info@zylefenster.com
 www.zylefenster.com



TILT & TURN TIMBER WINDOW

TITLE

MULLION DETAILS

DRAWING No.

TT-W-78/05

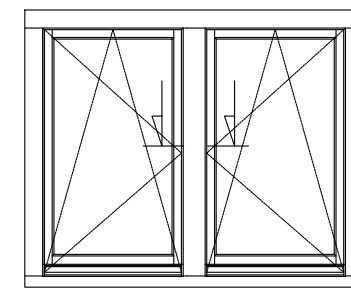
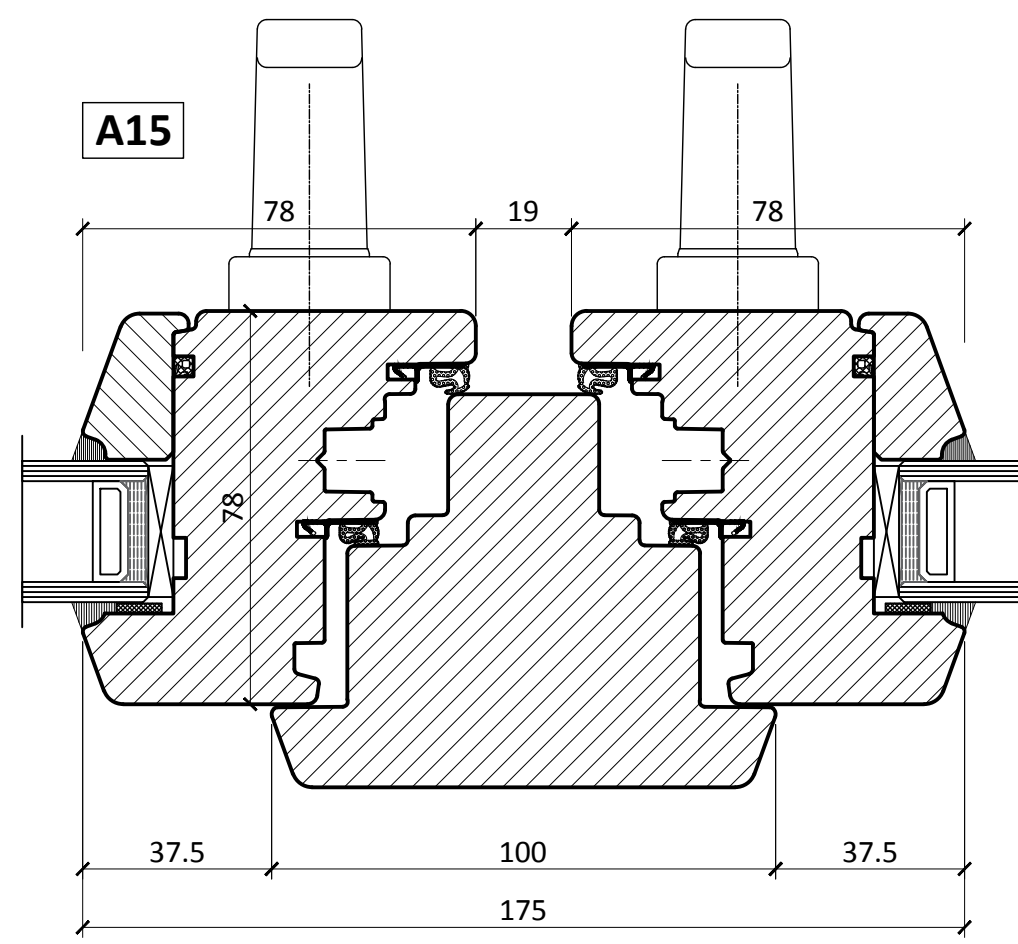
DATE

2018/06/06

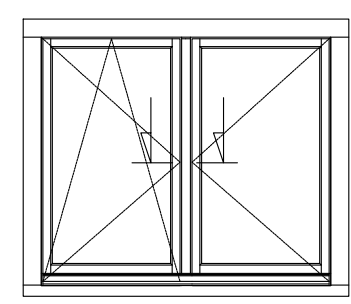
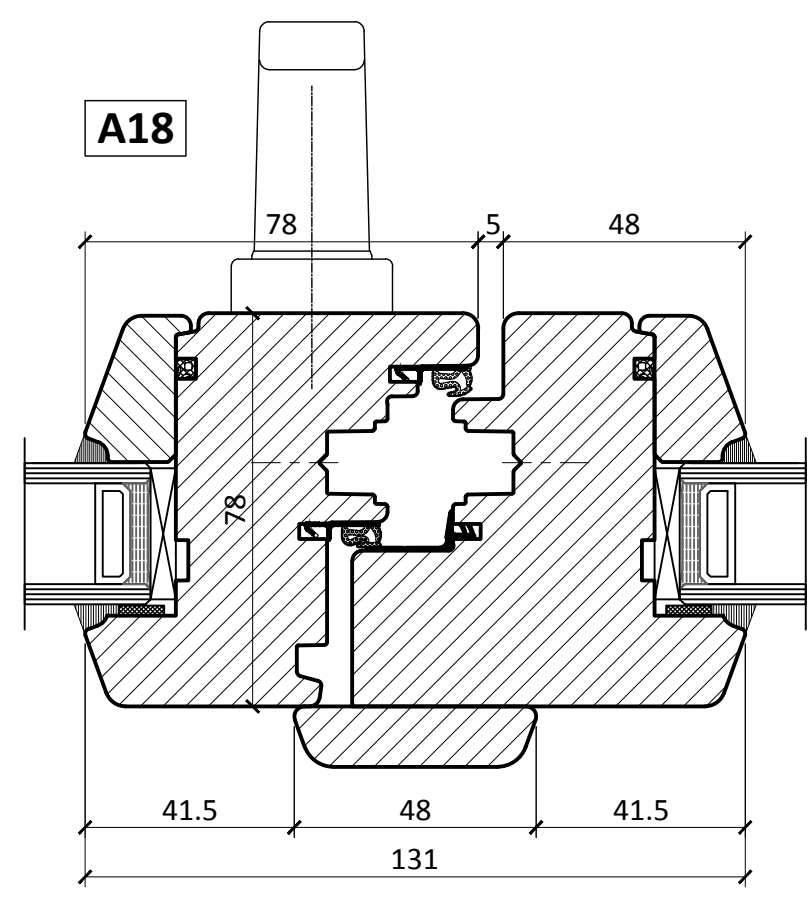
SCALE

1:1.5 @ A3

CONSTRUCTION DETAILS



DOUBLE TILT & TURN



TILT & TURN WITH
FLOATING MULLION

FENSTER UAB
 Kirtimų 47, LT-02244,
 Vilnius, Lithuania
 Phone.: + 370 5 206 0987
 Mob.: +370 682 01711
 Fax.: +370 5 206 0986
 E-mail: info@zylefenster.com
 www.zylefenster.com



**TILT & TURN
TIMBER WINDOW**

TITLE

TRANSOM DETAILS

DRAWING No.

TT-W-78/06

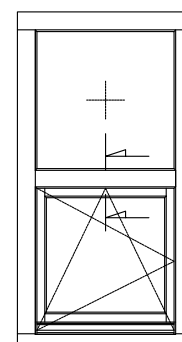
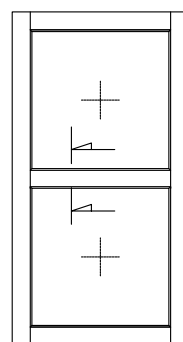
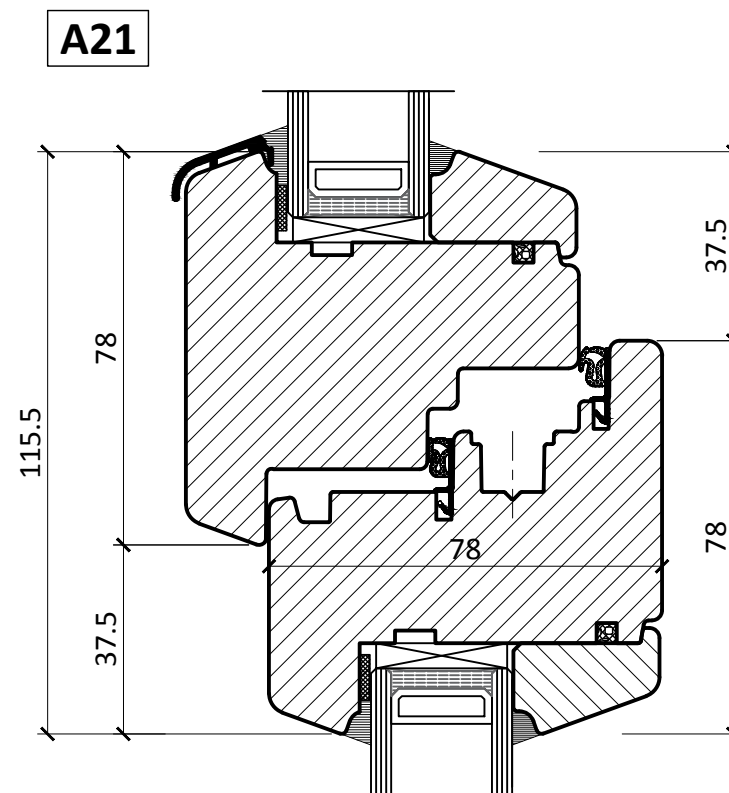
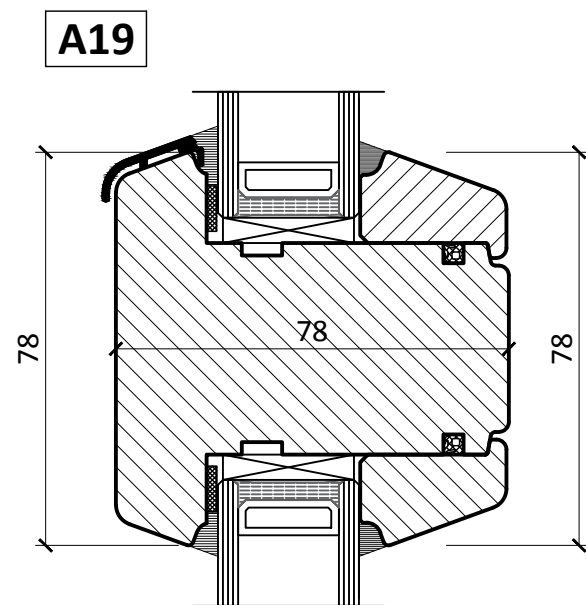
DATE

2018/06/06

SCALE

1:1.5 @ A3

CONSTRUCTION DETAILS



FENSTER UAB
Kirtimų 47, LT-02244,
Vilnius, Lithuania
Phone.: + 370 5 206 0987
Mob.: +370 682 01711
Fax.: +370 5 206 0986
E-mail: info@zylefenster.com
www.zylefenster.com



TILT & TURN TIMBER WINDOW

TITLE

TRANSOM DETAILS

DRAWING No.

TT-W-78/07

DATE

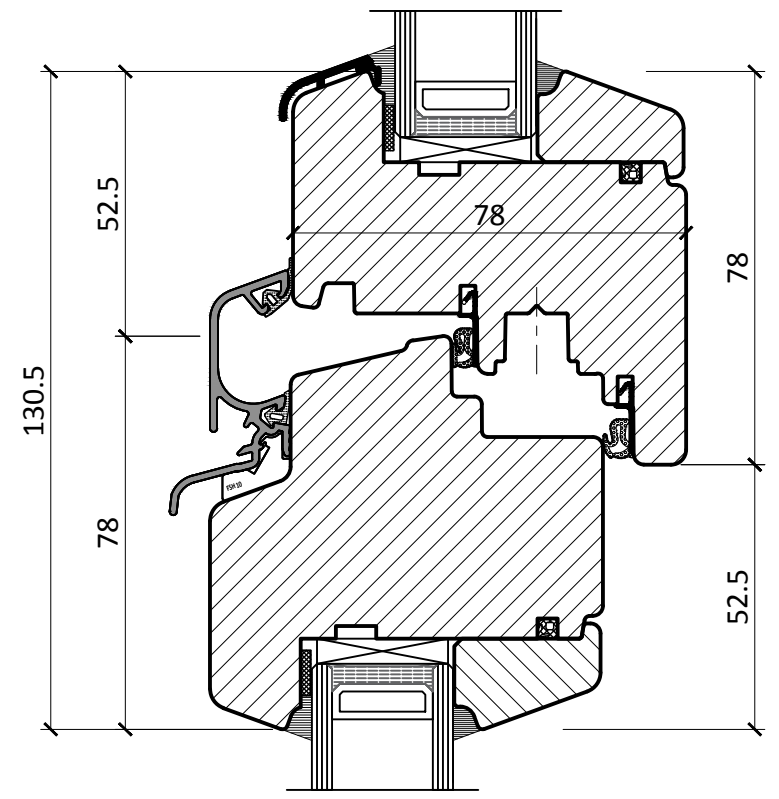
2018/06/06

SCALE

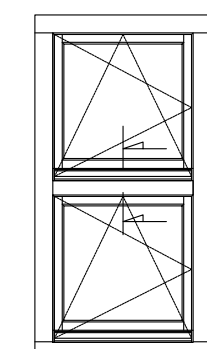
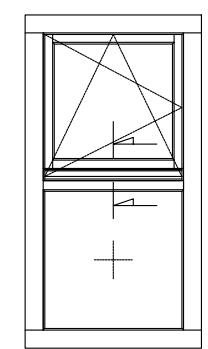
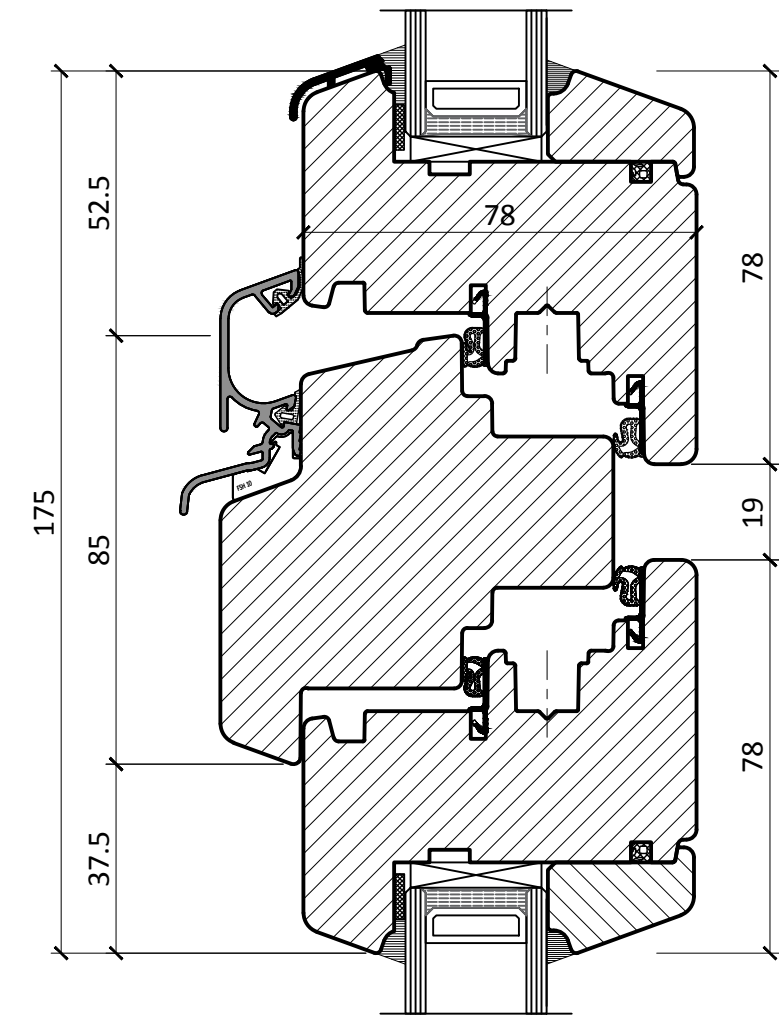
1:1.5 @ A3

CONSTRUCTION DETAILS

A20



A22



FENSTER UAB
 Kirtimų 47, LT-02244,
 Vilnius, Lithuania
 Phone.: + 370 5 206 0987
 Mob.: +370 682 01711
 Fax.: +370 5 206 0986
 E-mail: info@zylefenster.com
 www.zylefenster.com



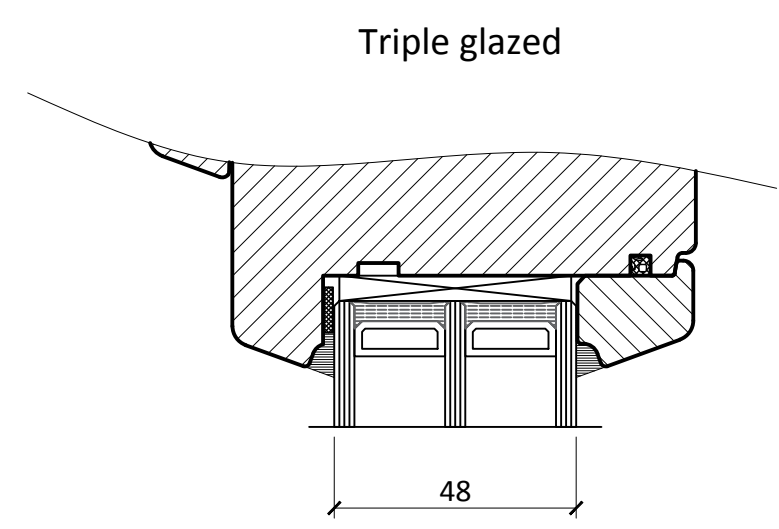
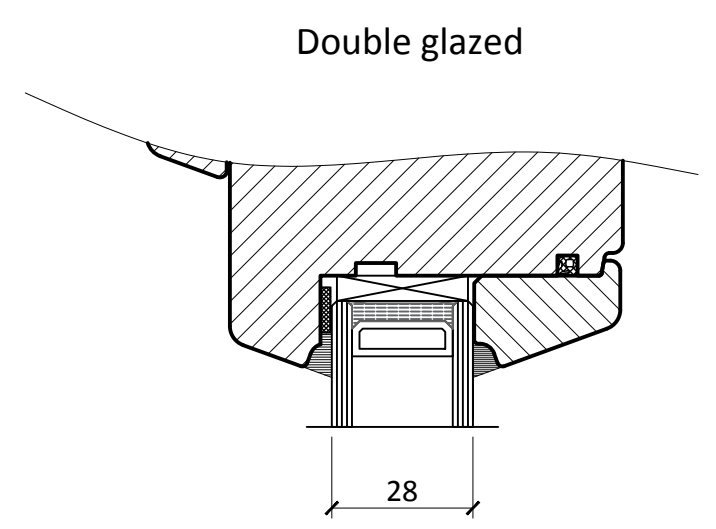
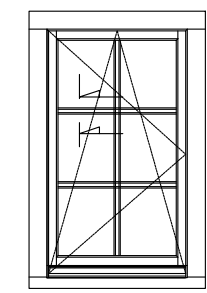
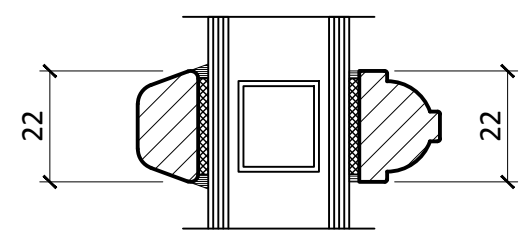
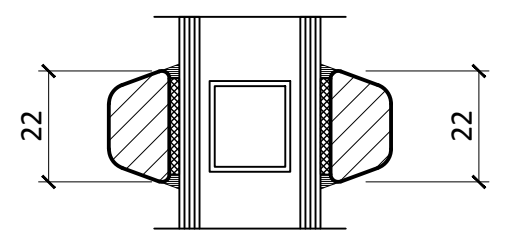
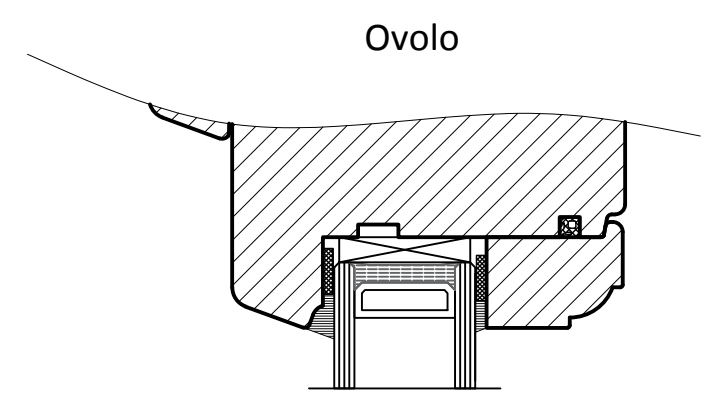
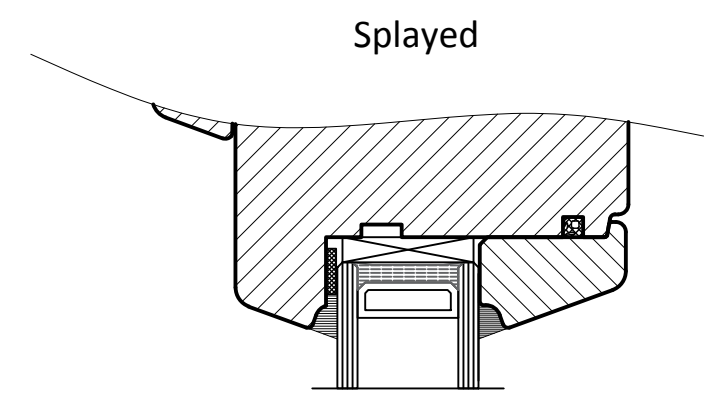
TILT & TURN TIMBER WINDOW

TITLE
**GLAZING AND GLAZING
BAR DETAILS**

DRAWING No.
TT-W-78/08

DATE	SCALE
2018/06/06	1:1.5 @ A3

CONSTRUCTION DETAILS



28

48

FENSTER UAB
 Kirtimų 47, LT-02244,
 Vilnius, Lithuania
 Phone.: + 370 5 206 0987
 Mob.: +370 682 01711
 Fax.: +370 5 206 0986
 E-mail: info@zylefenster.com
 www.zylefenster.com



TILT & TURN TIMBER WINDOW

TITLE

SASH AND FRAME OPTIONS

DRAWING No.

TT-W-78/09

DATE

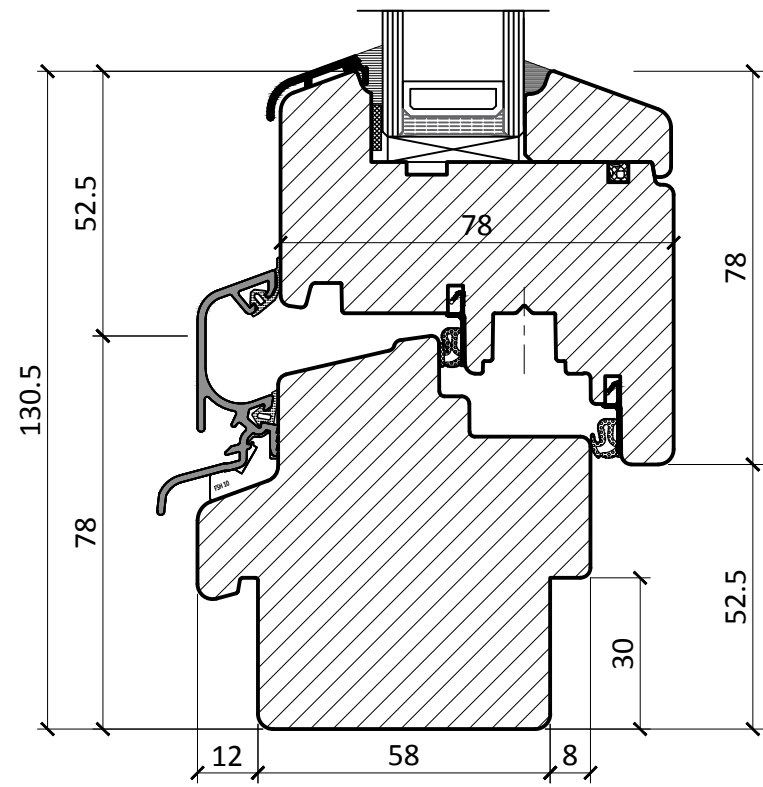
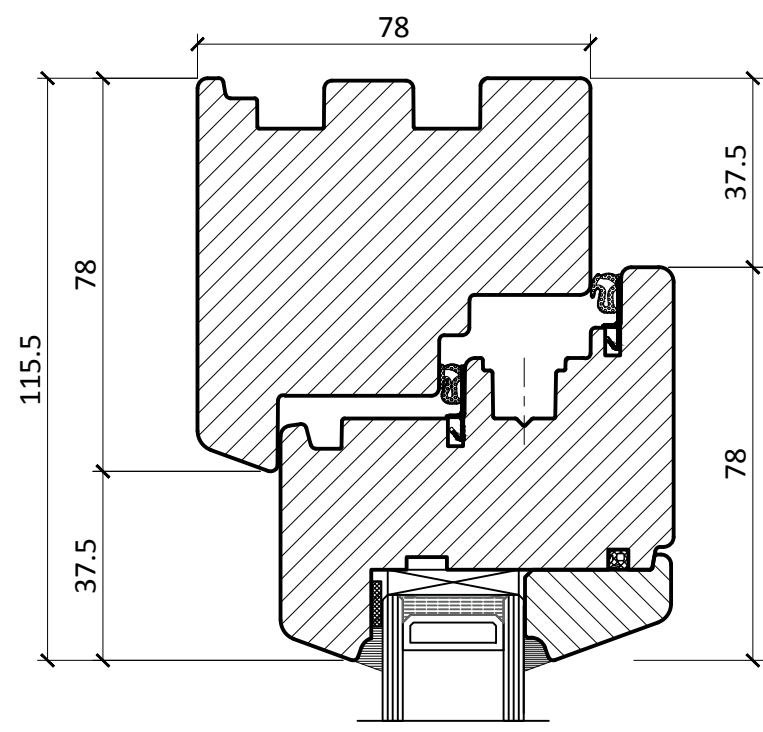
2018/06/06

SCALE

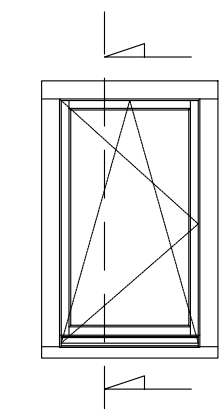
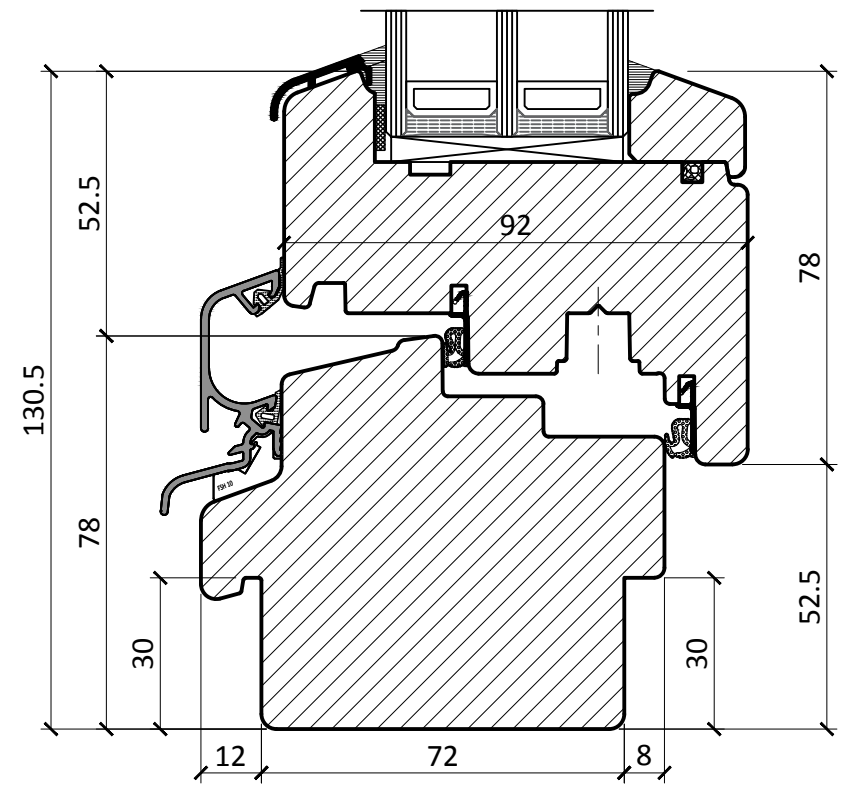
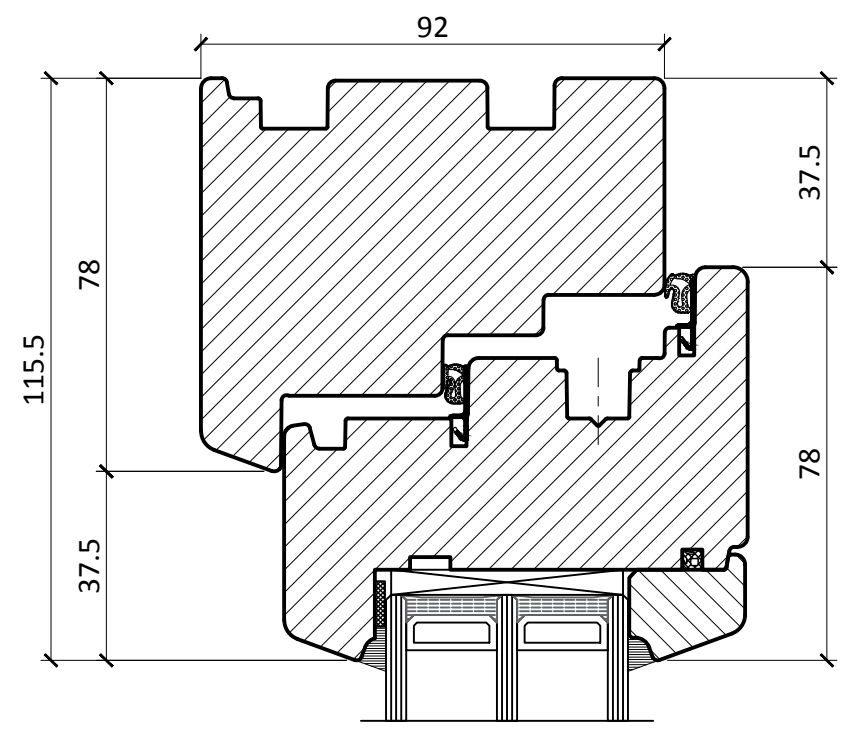
1:1.5 @ A3

CONSTRUCTION DETAILS

Double glazed window sash and frame



Triple glazed window sash and frame for higher thermal performance



FENSTER UAB
 Kirtimų 47, LT-02244,
 Vilnius, Lithuania
 Phone.: + 370 5 206 0987
 Mob.: +370 682 01711
 Fax.: +370 5 206 0986
 E-mail: info@zylefenster.com
 www.zylefenster.com



TILT & TURN TIMBER WINDOW

TITLE

CILL EXTENSION OPTIONS

DRAWING No.

TT-W-78/10

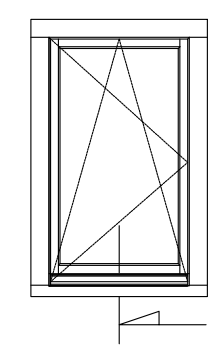
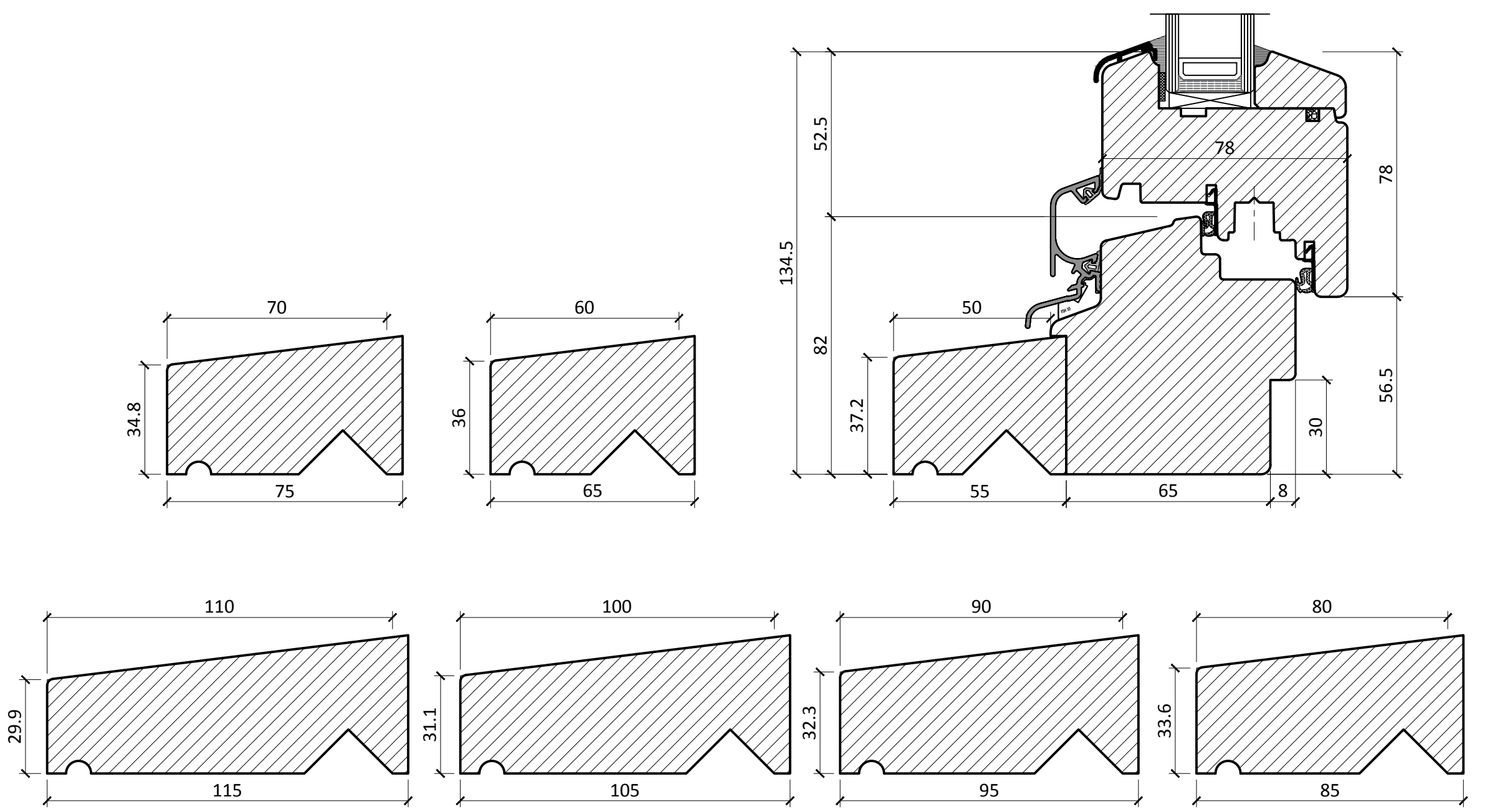
DATE

2018/06/06

SCALE

1:1.5 @ A3

CONSTRUCTION DETAILS

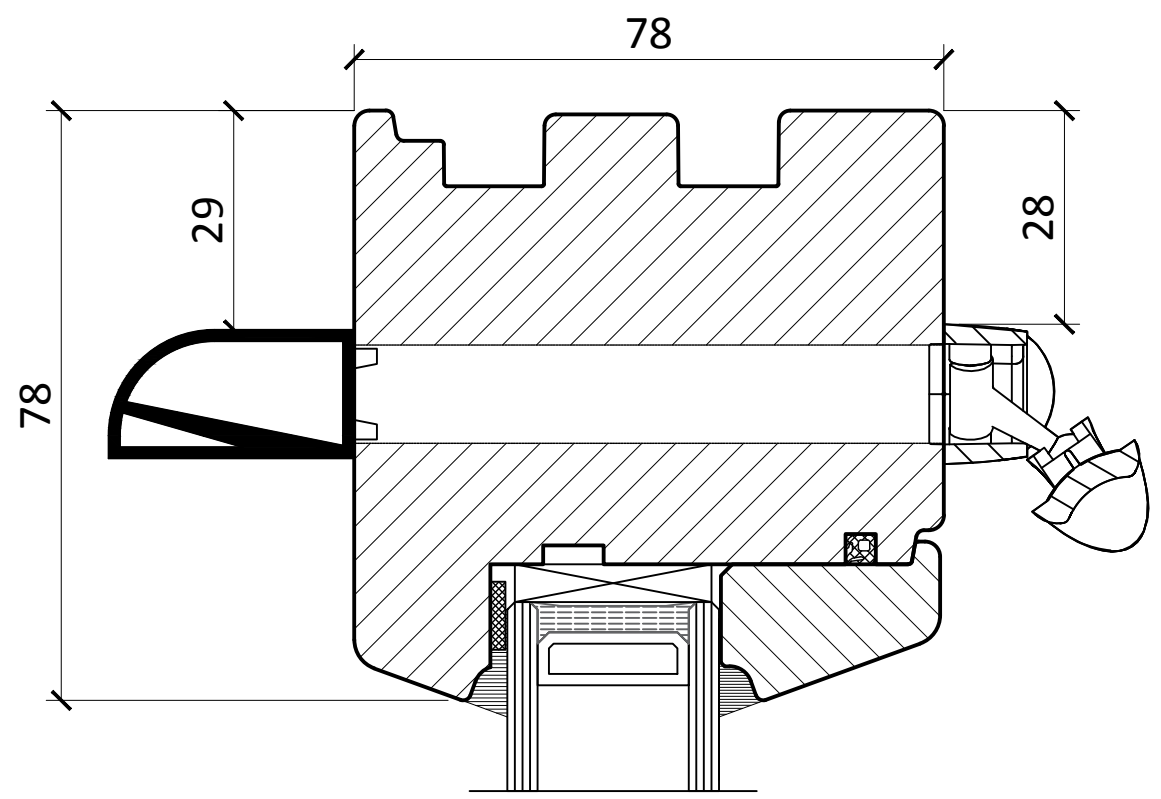


FENSTER UAB
 Kirtimų 47, LT-02244,
 Vilnius, Lithuania
 Phone.: + 370 5 206 0987
 Mob.: +370 682 01711
 Fax.: +370 5 206 0986
 E-mail: info@zylefenster.com
 www.zylefenster.com

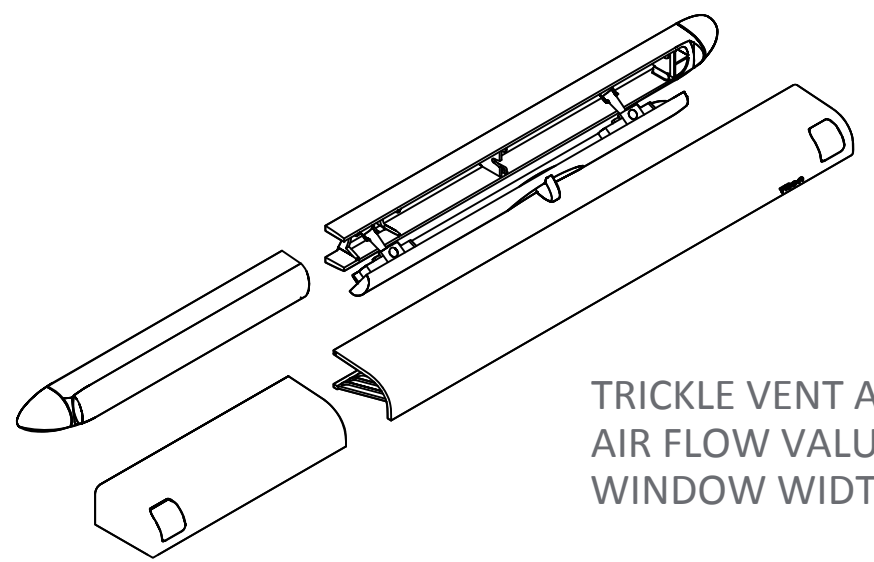
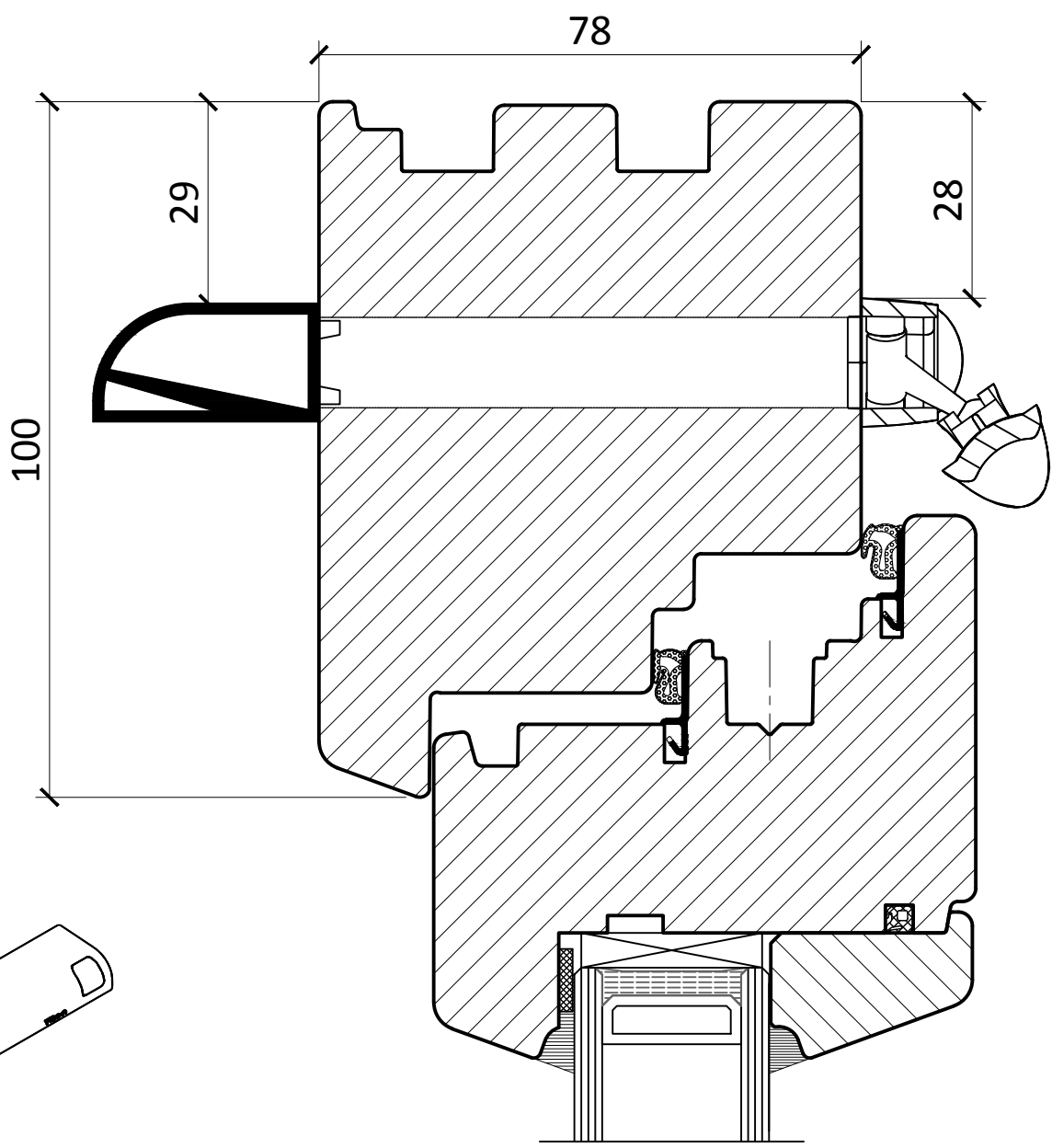


PRODUCT TYPE	
TILT & TURN TIMBER WINDOW	
TITLE	
TRICKLE VENT	
DRAWING No.	
TT-W-78/11	
DATE	SCALE
2018/06/06	1:1 @ A3
CONSTRUCTION DETAILS	

A1/78V

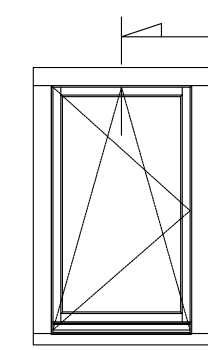
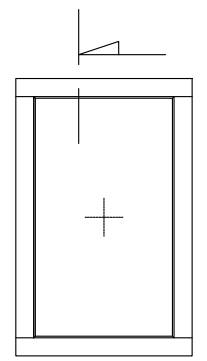


A7/100V



TRICKLE VENT AVAILABLE IN DIFFERENT AIR FLOW VALUE, DEPENDING ON THE WINDOW WIDTH:

- * - 1700 mm² EA
- * - 4400 mm² EA
- * - 5000 mm² EA



FENSTER UAB
 Kirtimų 47, LT-02244,
 Vilnius, Lithuania
 Phone.: + 370 5 206 0987
 Mob.: +370 682 01711
 Fax.: +370 5 206 0986
 E-mail: info@zylefenster.com
 www.zylefenster.com

