

**TIMBER ALUMINIUM
CURTAIN WALL**

TITLE

CONSTRUCTION DRAWING

DRAWING No.

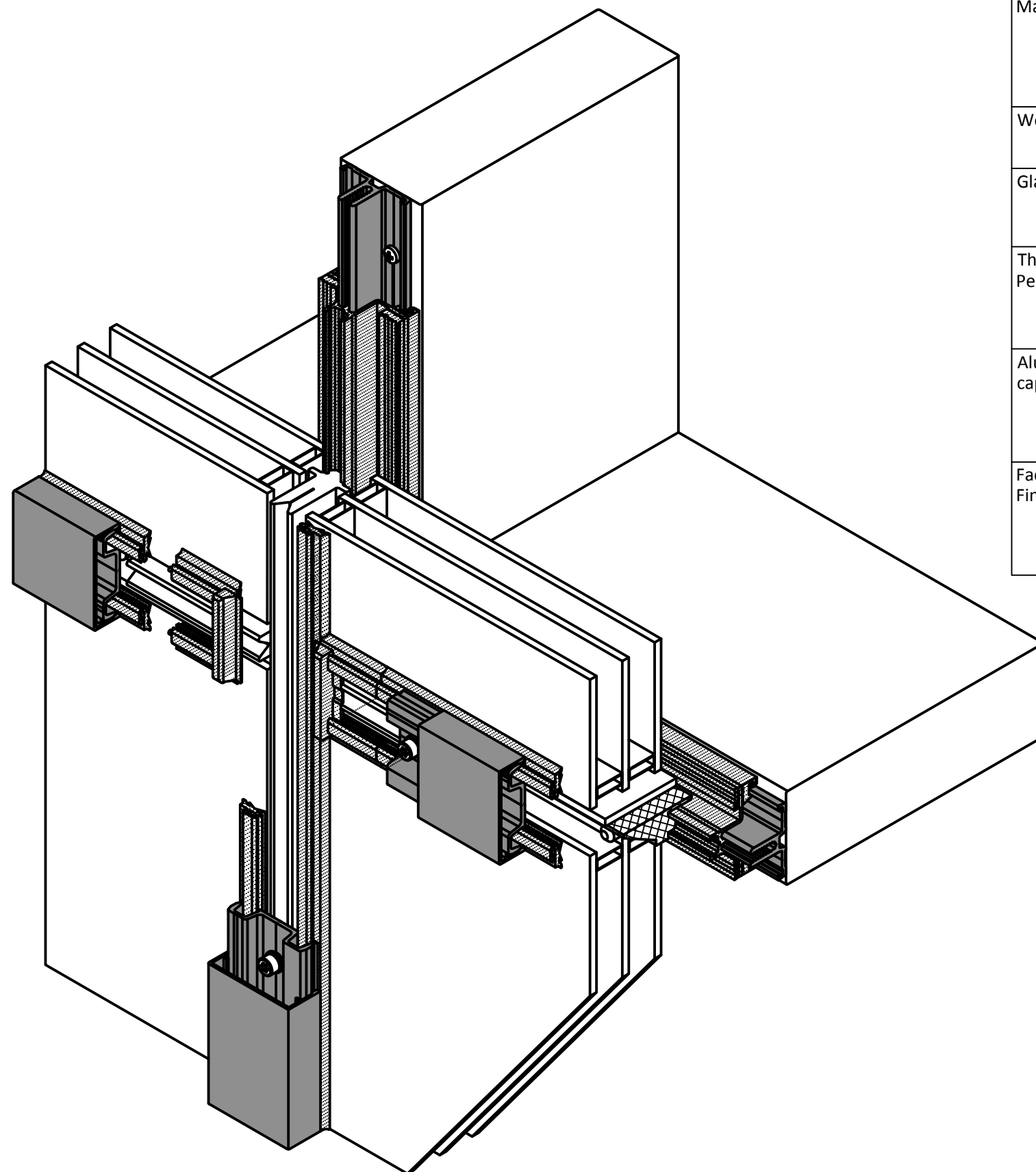
CW-WA/01

DATE

2018/06/06

SCALE

CONSTRUCTION DETAILS



Material	Manufactured in selected engineered laminated pine or hardwood, sourced from sustainable and managed forestry (FSC or PFEC certified)
Weatherseal	Curtain wall system is fully weather sealed and tested to EN standards
Glass	The system is pressure plate fixed and can take dual or triple sealed units up to 64mm thickness
Thermal Performance	Uw-value down to 0.63 W/m2K depending on the frame combination and the glass thickness
Aluminium capping	External aluminium caps are available in full RAL colour range, provides weather resistance and easy maintenance. Hardwood caps are also an option
Factory Finishing	To ensure the smooth operation and optimum performance of the window, we apply 3 coats of sprayed applied microporous water based paint system

FENSTER UAB
 Kirtimų 47, LT-02244,
 Vilnius, Lithuania
 Phone.: + 370 5 206 0987
 Mob.: +370 682 01711
 Fax.: +370 5 206 0986
 E-mail: info@zylefenster.com
 www.zylefenster.com



TIMBER ALUMINIUM CURTAIN WALL

TITLE

MULLION, TRANSOM AND CAP OPTIONS

DRAWING No.

CW-WA/02

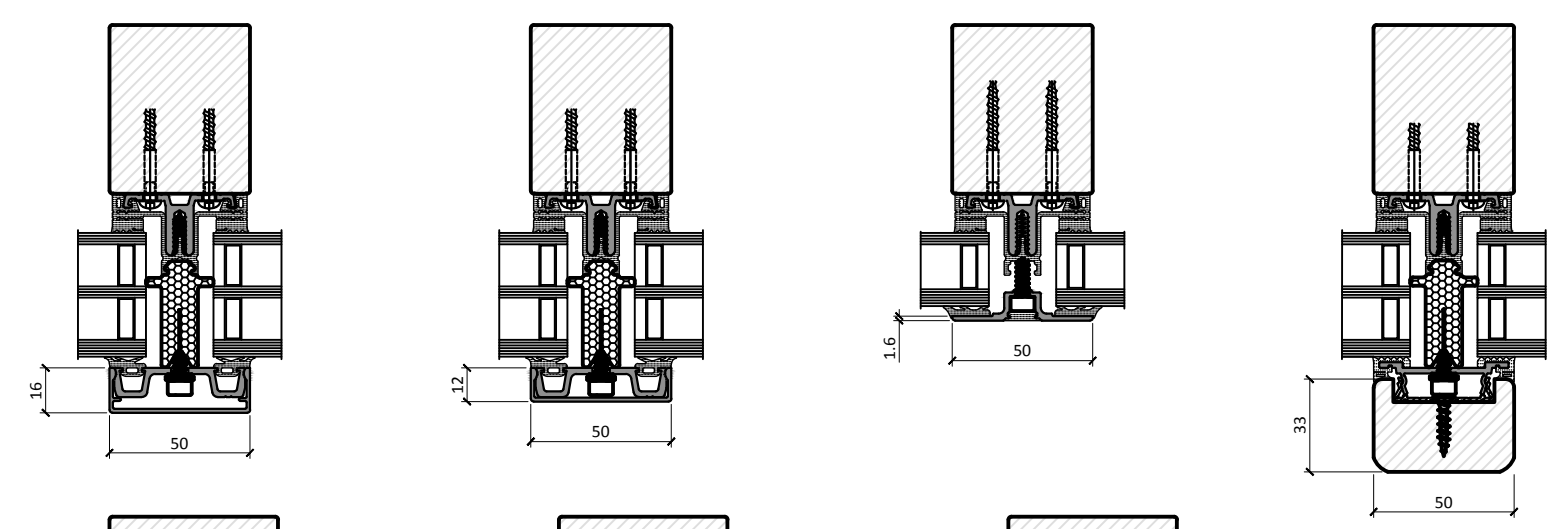
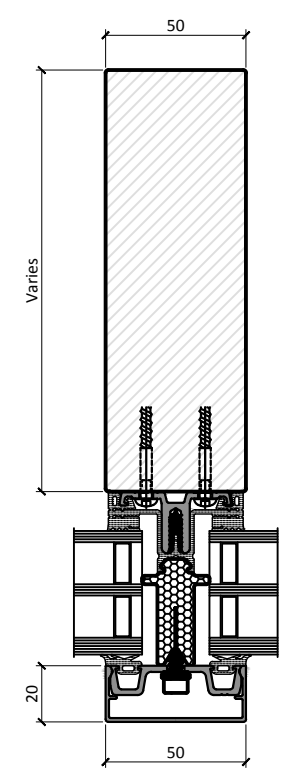
DATE

2018/06/06

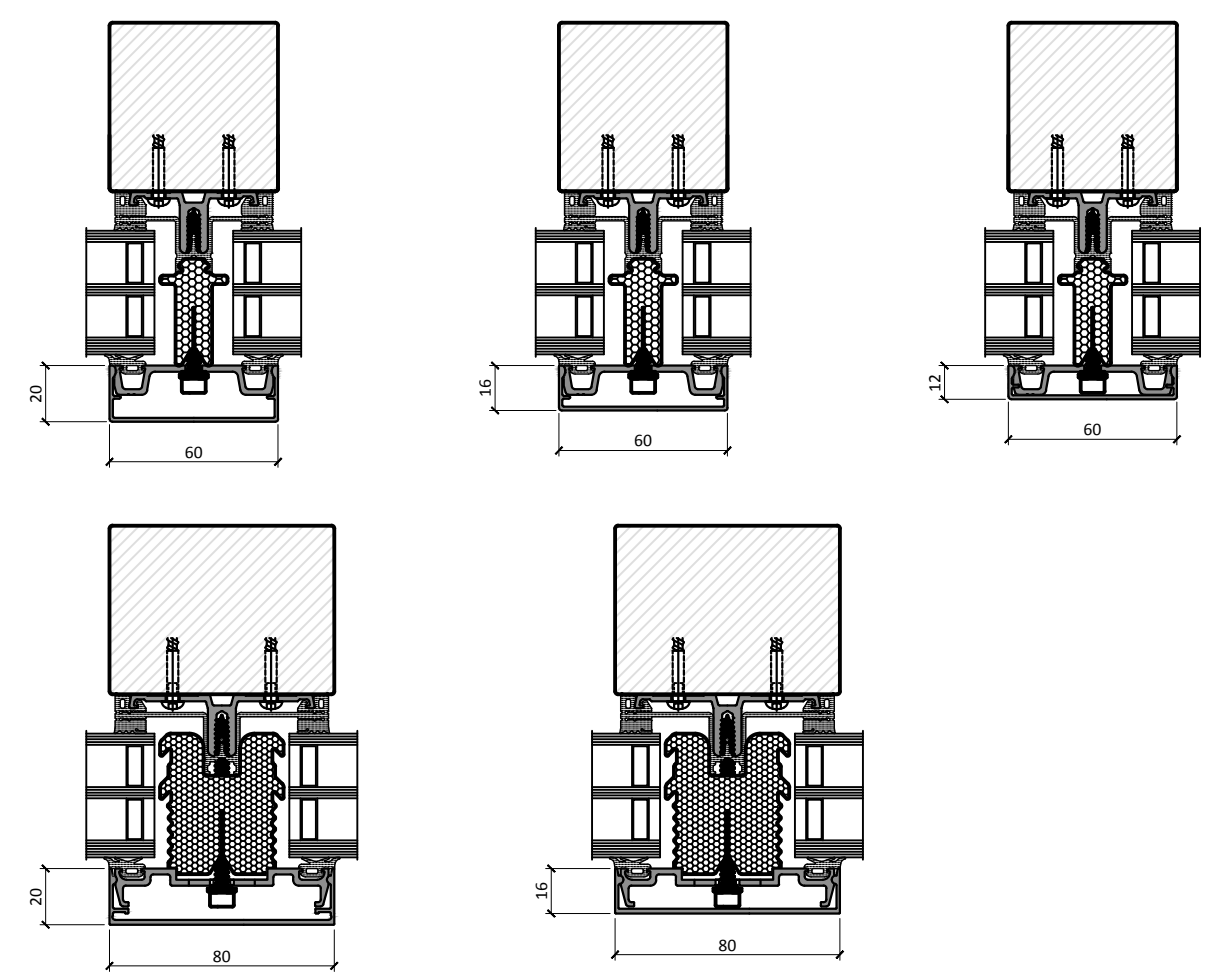
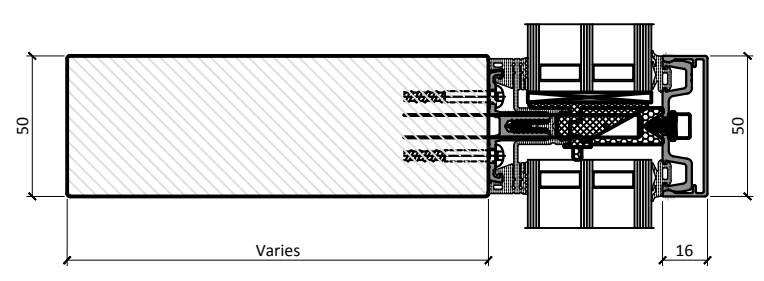
SCALE

CONSTRUCTION DETAILS

Vertical mullion



Horizontal transom



FENSTER UAB
 Kirtimų 47, LT-02244,
 Vilnius, Lithuania
 Phone.: + 370 5 206 0987
 Mob.: +370 682 01711
 Fax.: +370 5 206 0986
 E-mail: info@zylefenster.com
 www.zylefenster.com

