

**SCHÜCO ASS 77PD.HI  
SLIDING  
ALUMINIUM DOOR**

TITLE

**ELEVATION DRAWING**

DRAWING No.

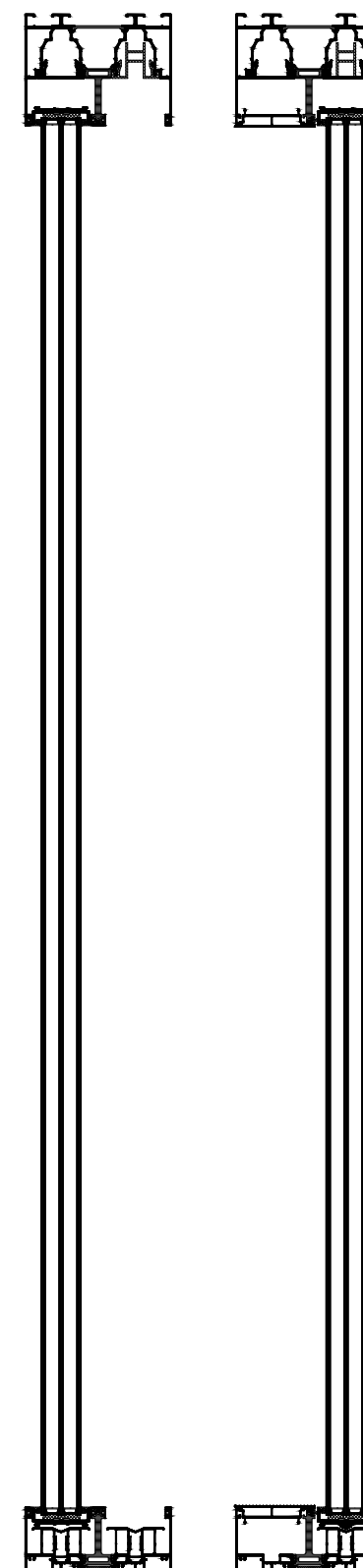
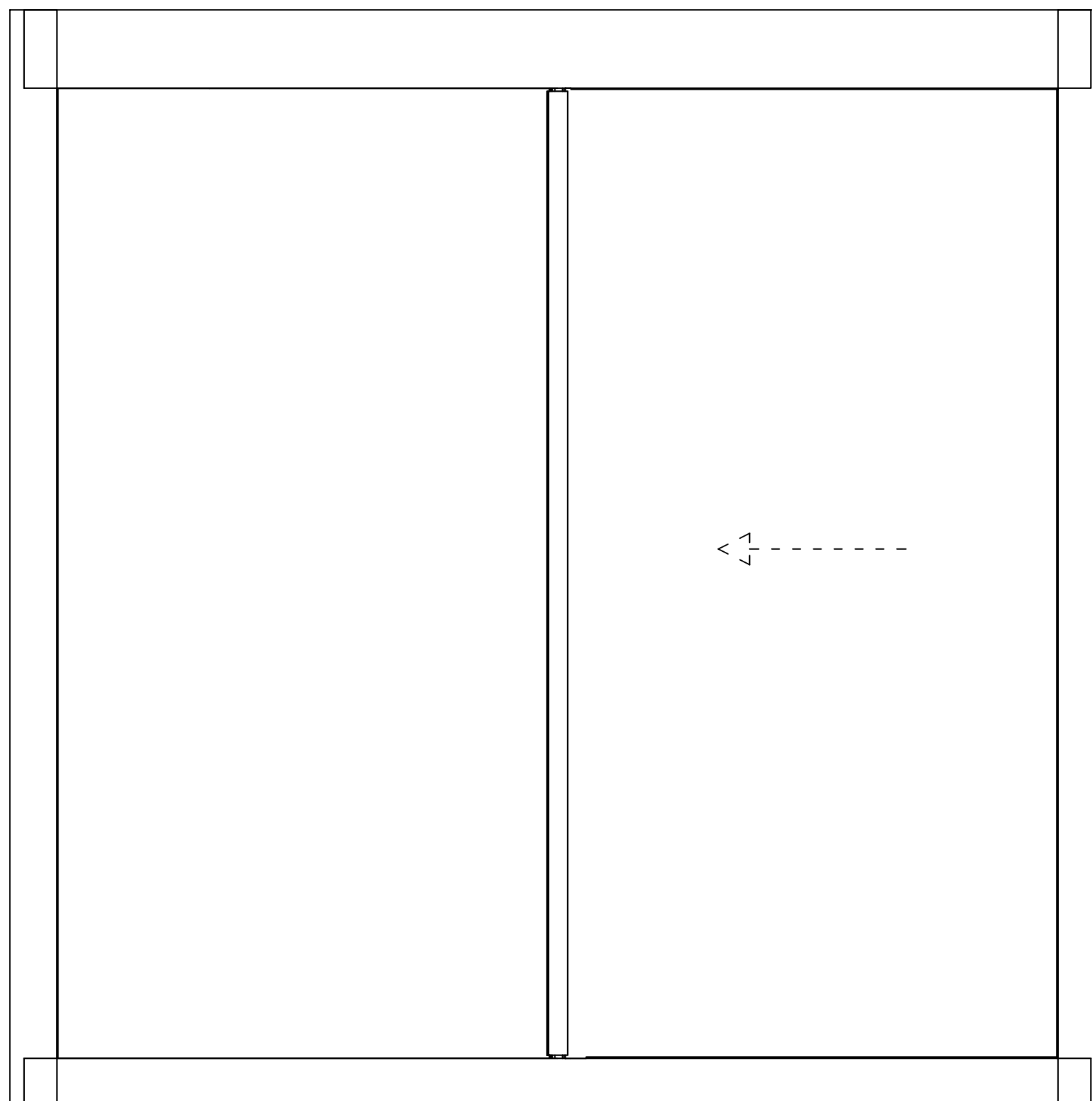
**S-A-ASS77/01**

DATE

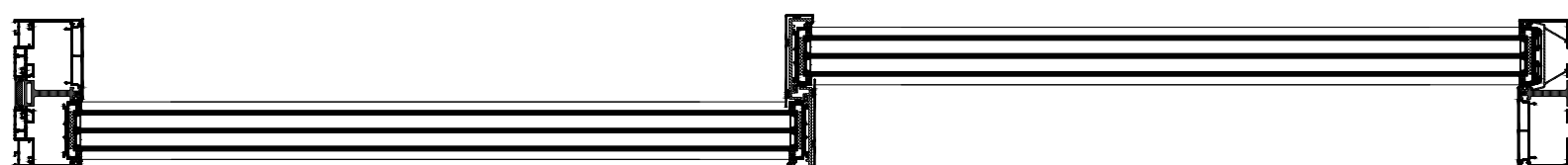
**2018/06/06**

SCALE

CONSTRUCTION DETAILS



Material	Thermally broken aluminium system
Mechanism	Manual or electronic operated with concealed, profile-integrated drive and locking system
Weatherseal	The door is fully weather sealed and tested to EN standards
Glass	The door can take dual or triple sealed units from 20mm to 60mm thickness
Thermal Performance	Uw-value down to 1.0 W/m <sup>2</sup> K, depending on the frame/vent combination
Factory Finishing	Polyester powder coated available in single or dual colour



FENSTER UAB  
Kirtimų 47, LT-02244,  
Vilnius, Lithuania  
Phone.: + 370 5 206 0987  
Mob.: +370 682 01711  
Fax.: +370 5 206 0986  
E-mail: info@zylefenster.com  
www.zylefenster.com



PRODUCT TYPE  
**SCHÜCO ASS 77PD.HI  
 SLIDING  
 ALUMINIUM DOOR**

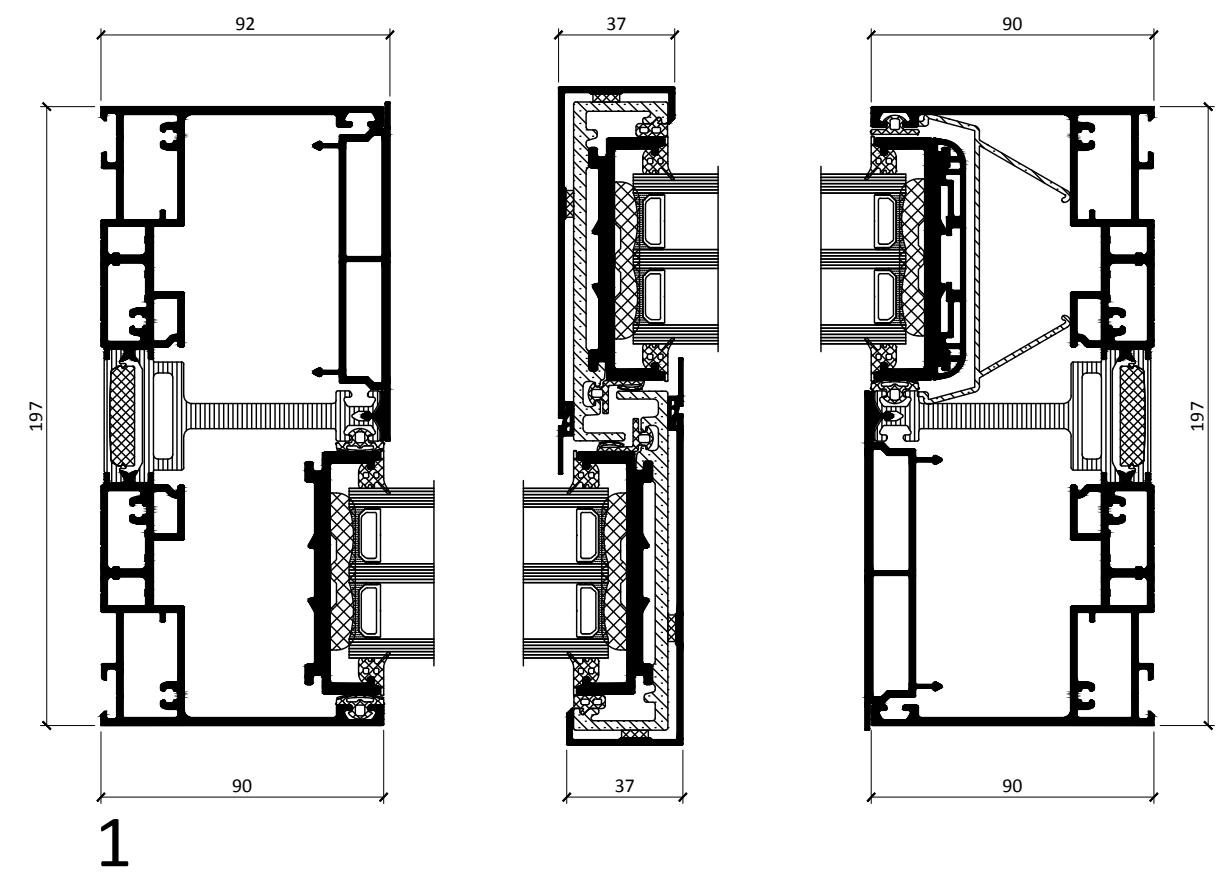
TITLE  
**TYPICAL SECTIONS**

DRAWING No.  
**S-A-ASS77/02**

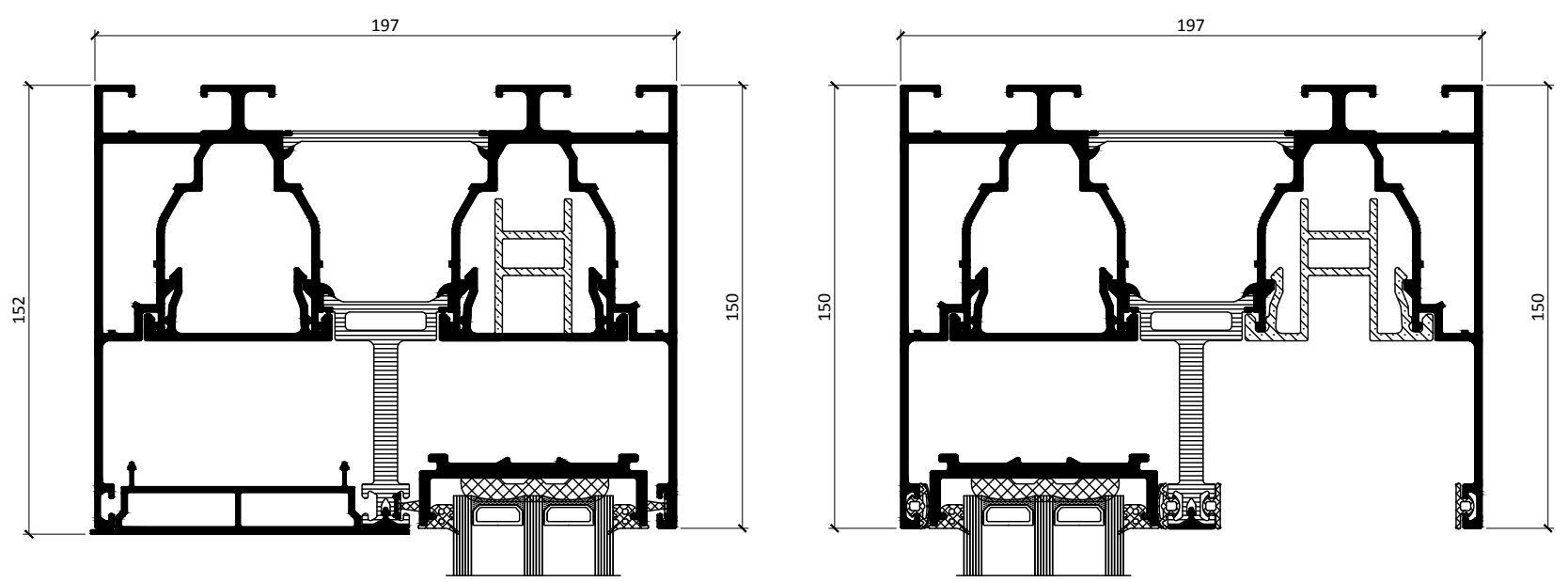
DATE  
**2018/06/06**

SCALE

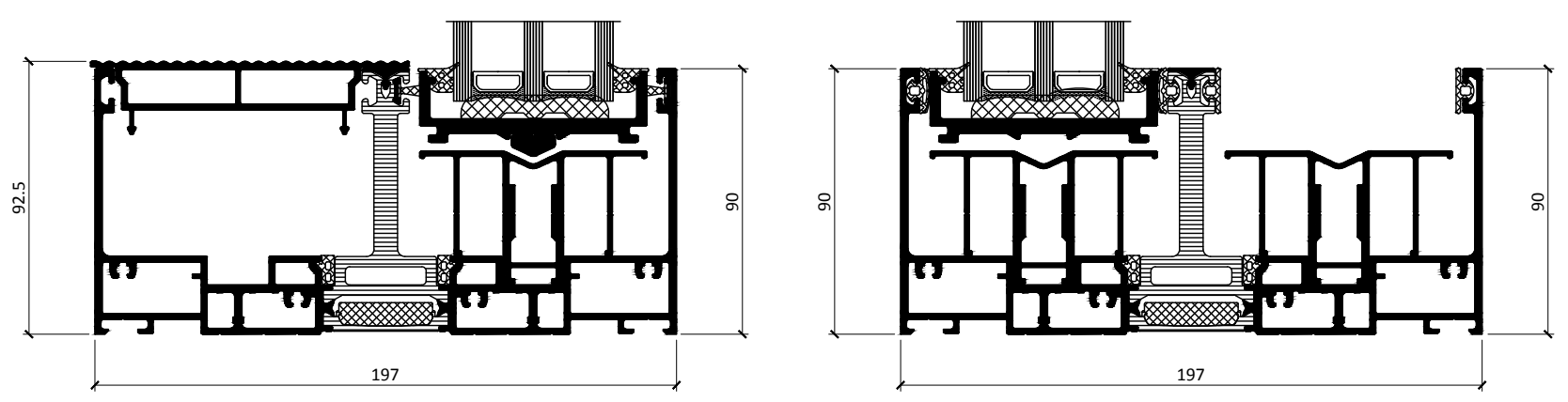
CONSTRUCTION DETAILS



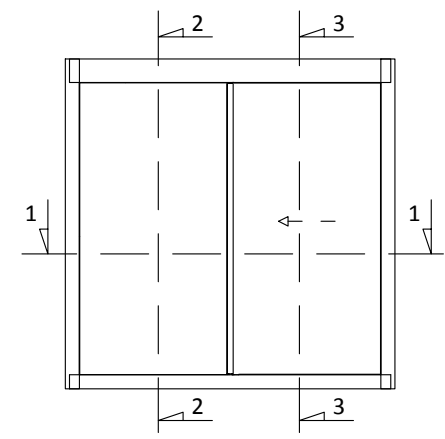
**1**



**2**



**3**



FENSTER UAB  
 Kirtimų 47, LT-02244,  
 Vilnius, Lithuania  
 Phone.: + 370 5 206 0987  
 Mob.: +370 682 01711  
 Fax.: +370 5 206 0986  
 E-mail: info@zylefenster.com  
 www.zylefenster.com

